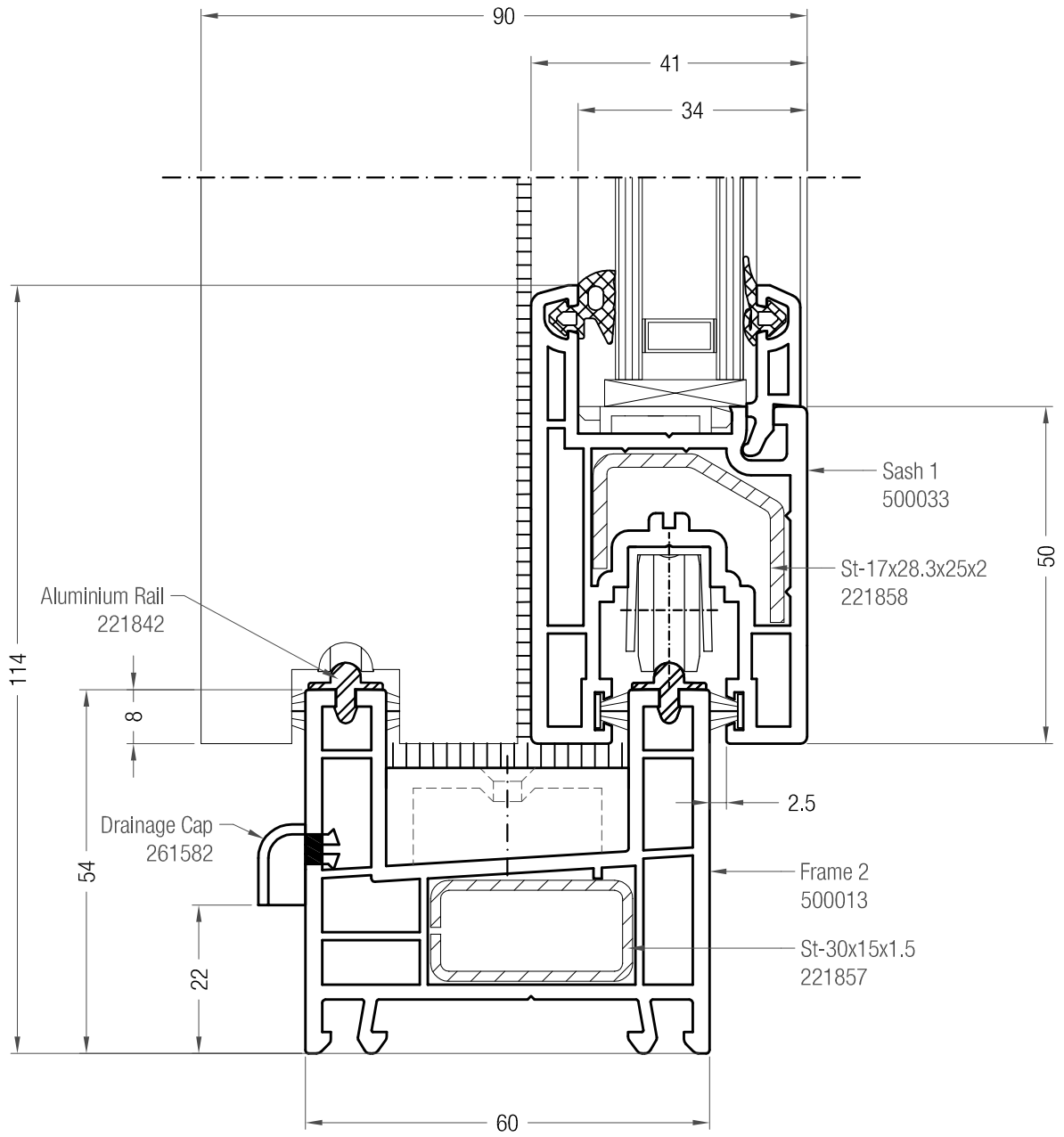
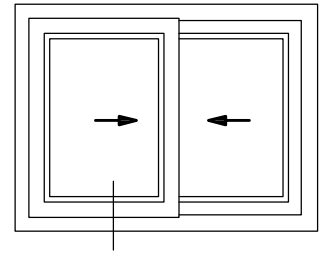


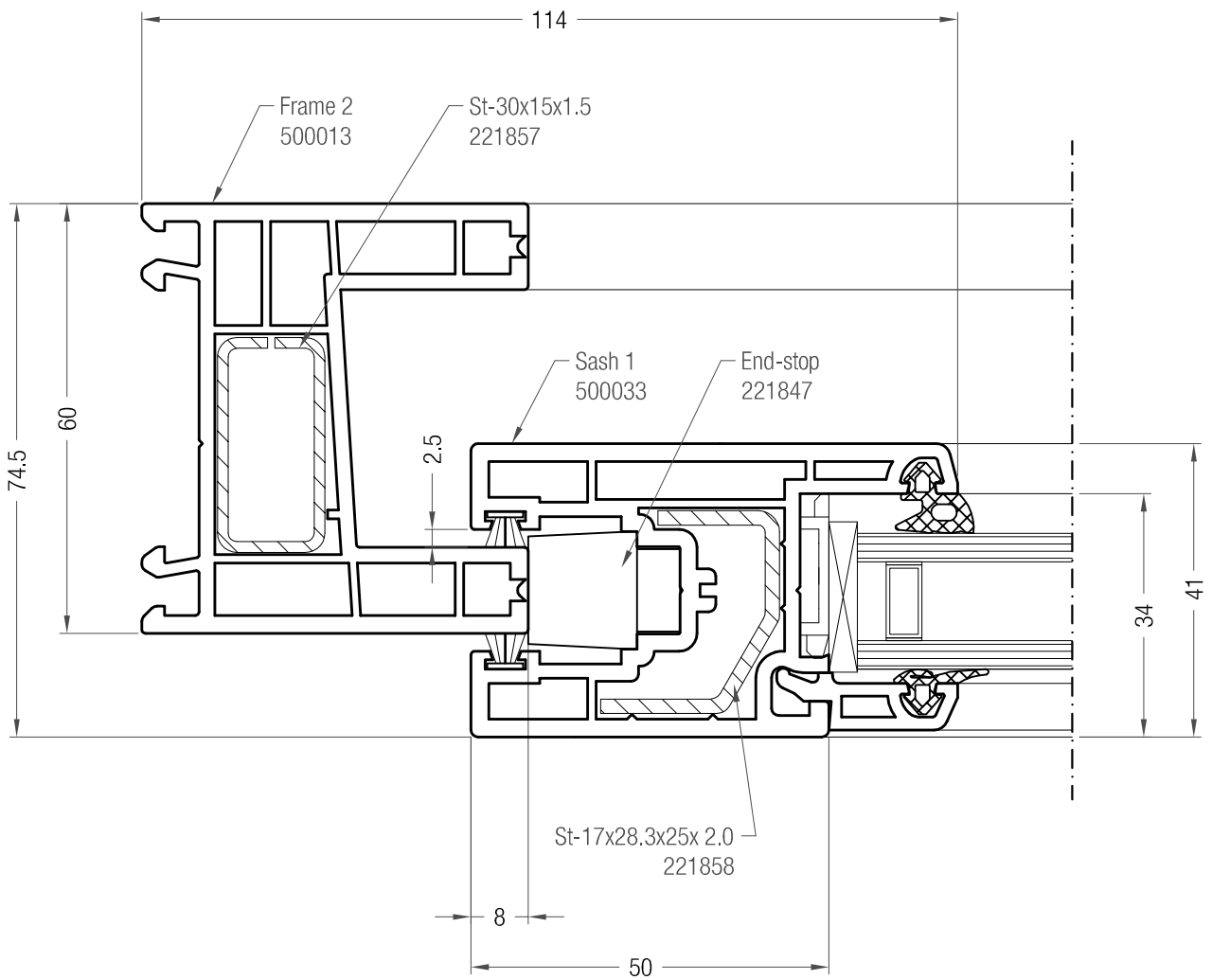
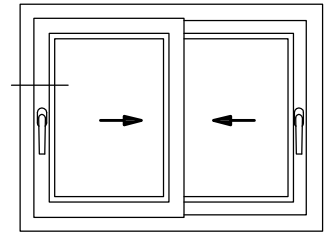
Detail Drawing - Sliding Window, 2-track, 2-panel

Frame 2 / Sash 1 (bottom)



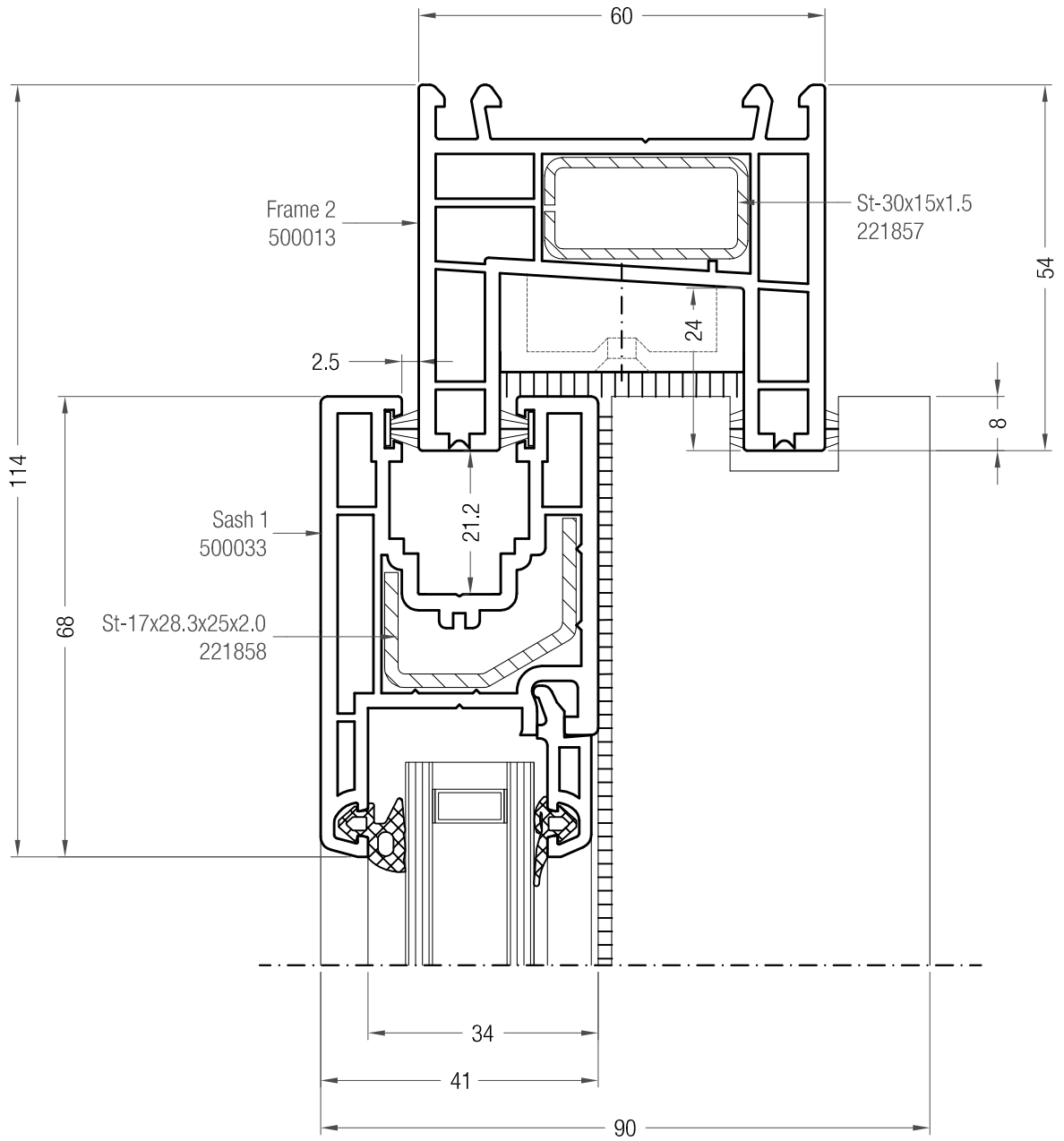
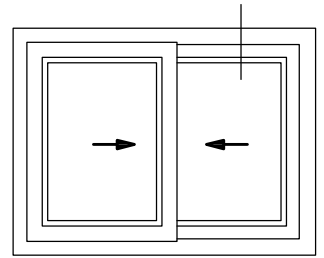
Detail Drawing - Sliding Window, 2-track, 2-panel

Frame 2 / Sash 1 (side)



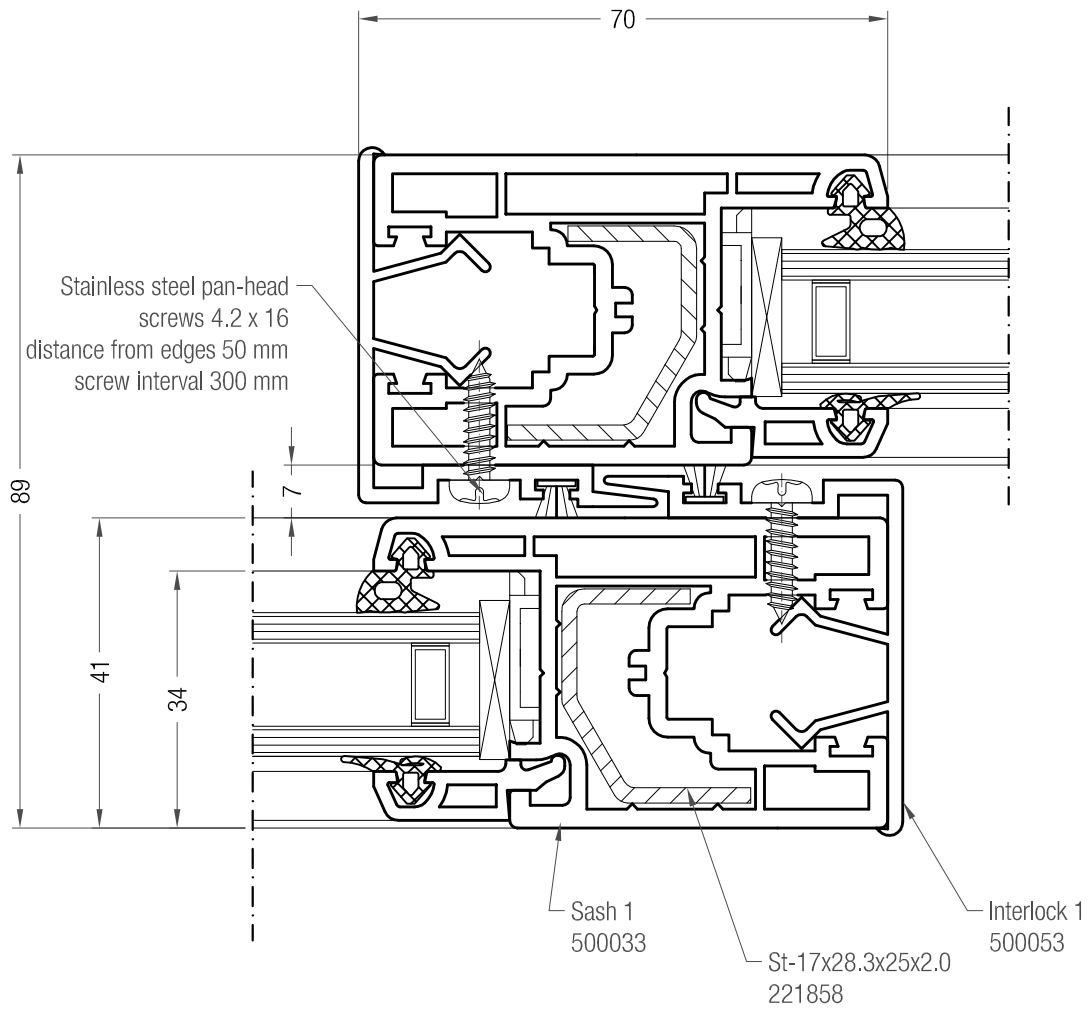
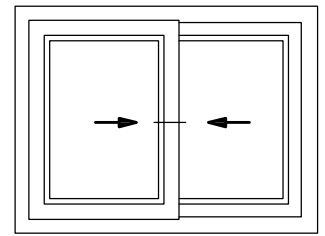
Detail Drawing - Sliding Window, 2-track, 2-panel

Frame 2 / Sash 1 (top)



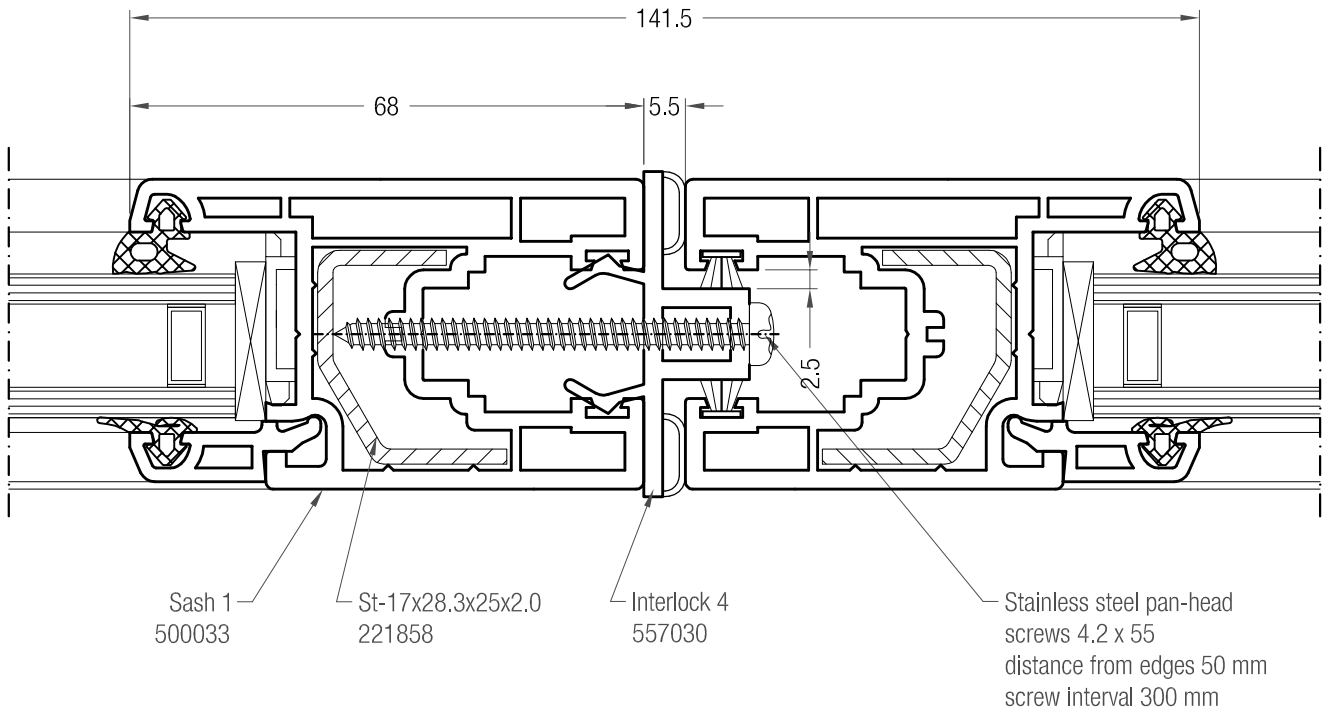
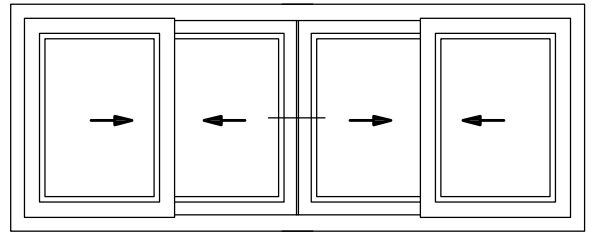
Detail Drawing - Sliding Window, 2-panel, 2-track

Frame 2 / Interlock 1



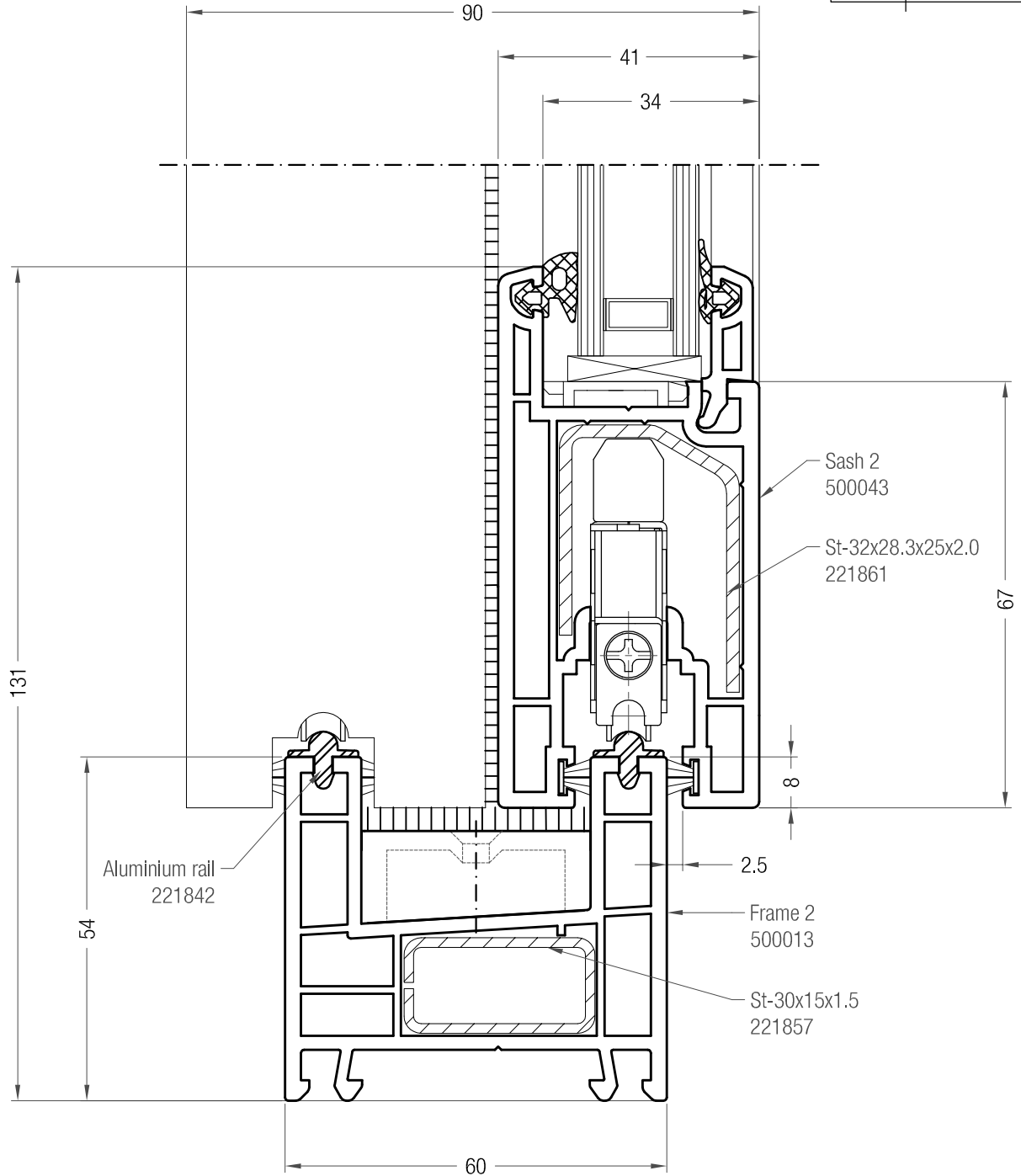
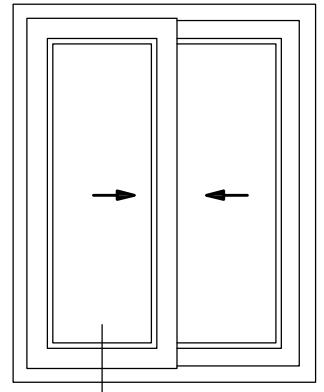
Detail Drawing - Sliding Window, 4-panel, 2-track

Sash 1 / Interlock 4



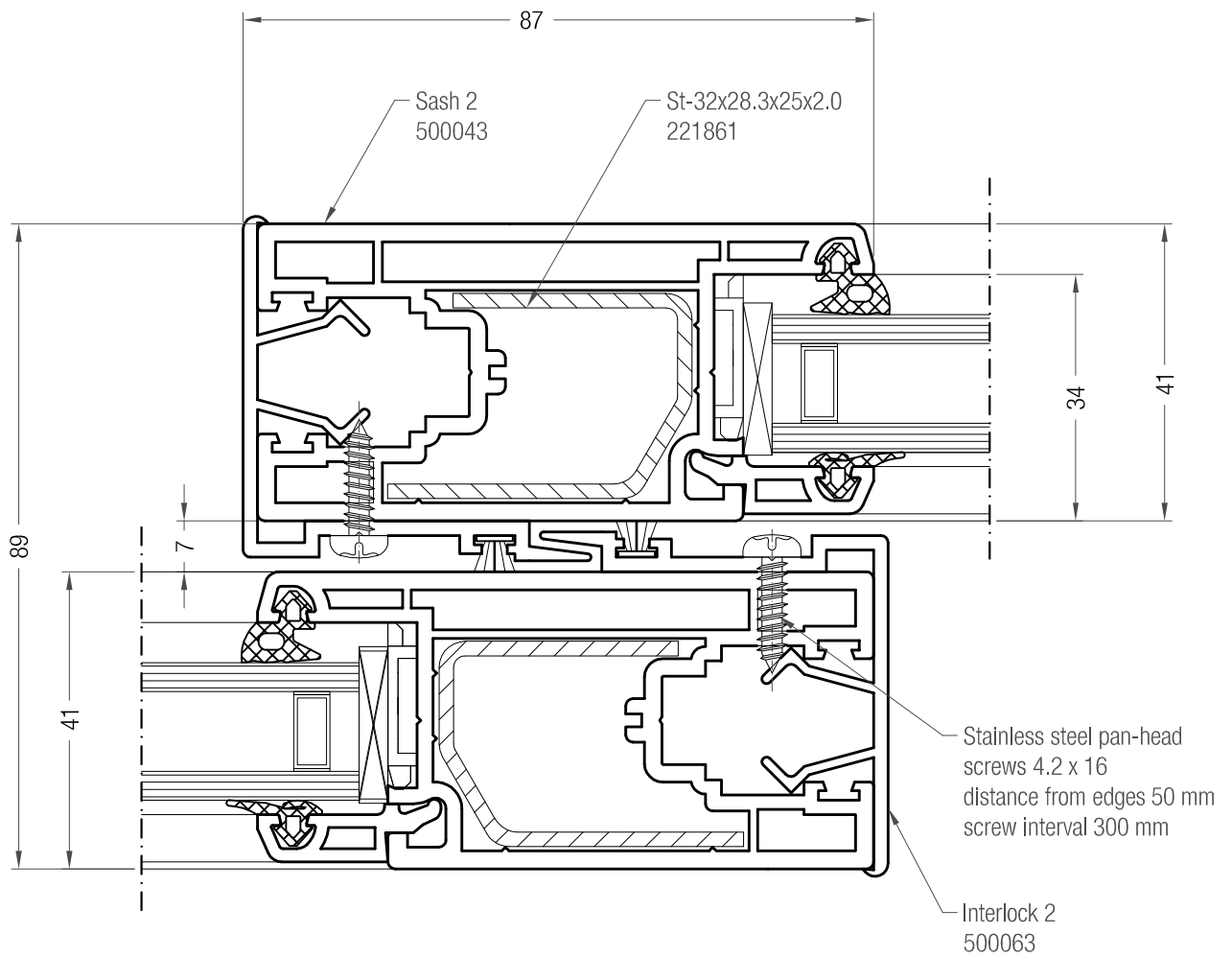
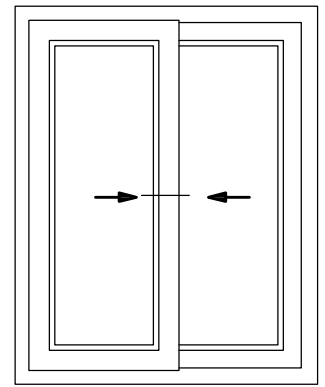
Detail Drawing - Sliding Door, 2-panel, 2-track

Frame 2 / Sash 2 (bottom)



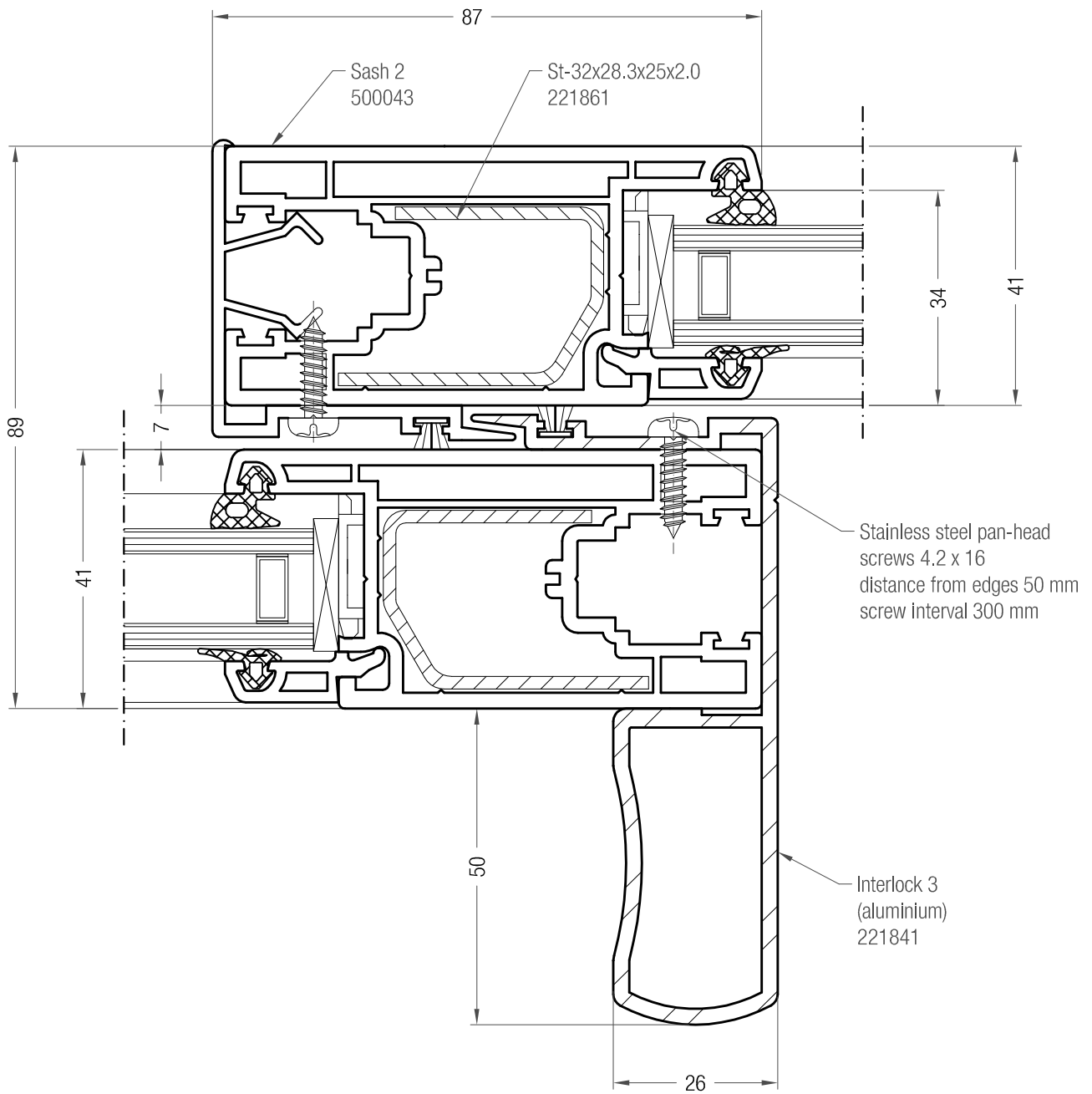
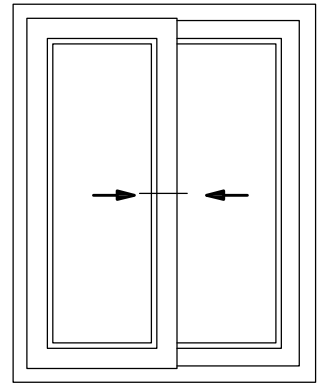
Detail Drawing - Sliding Door, 2-panel, 2-track

Sash 2 / Interlock 2



Detail Drawing - Sliding Door, 2-panel, 2-track

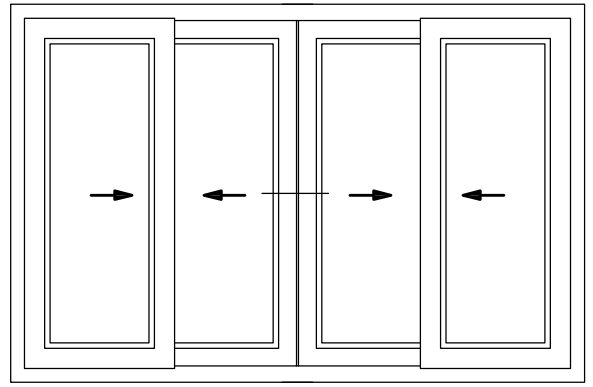
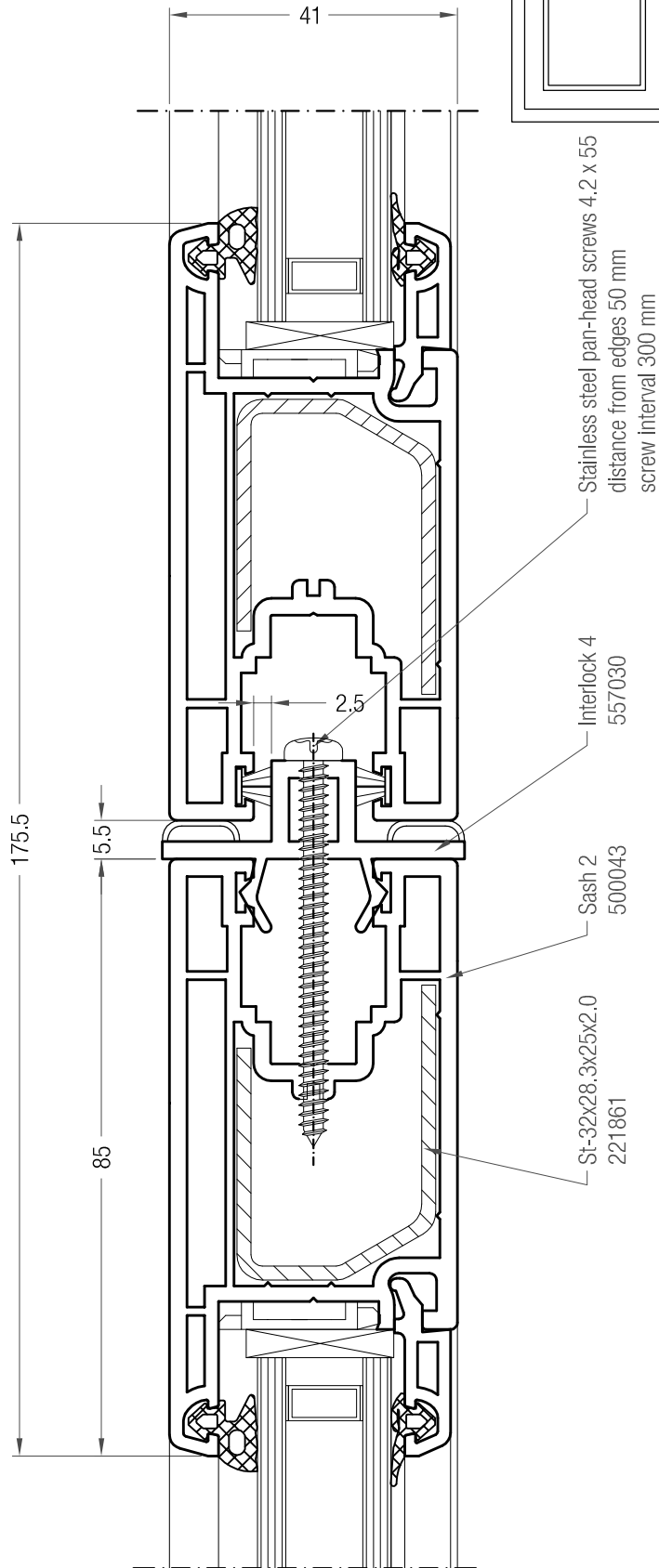
Sash 2 / Interlock 3 (aluminium)





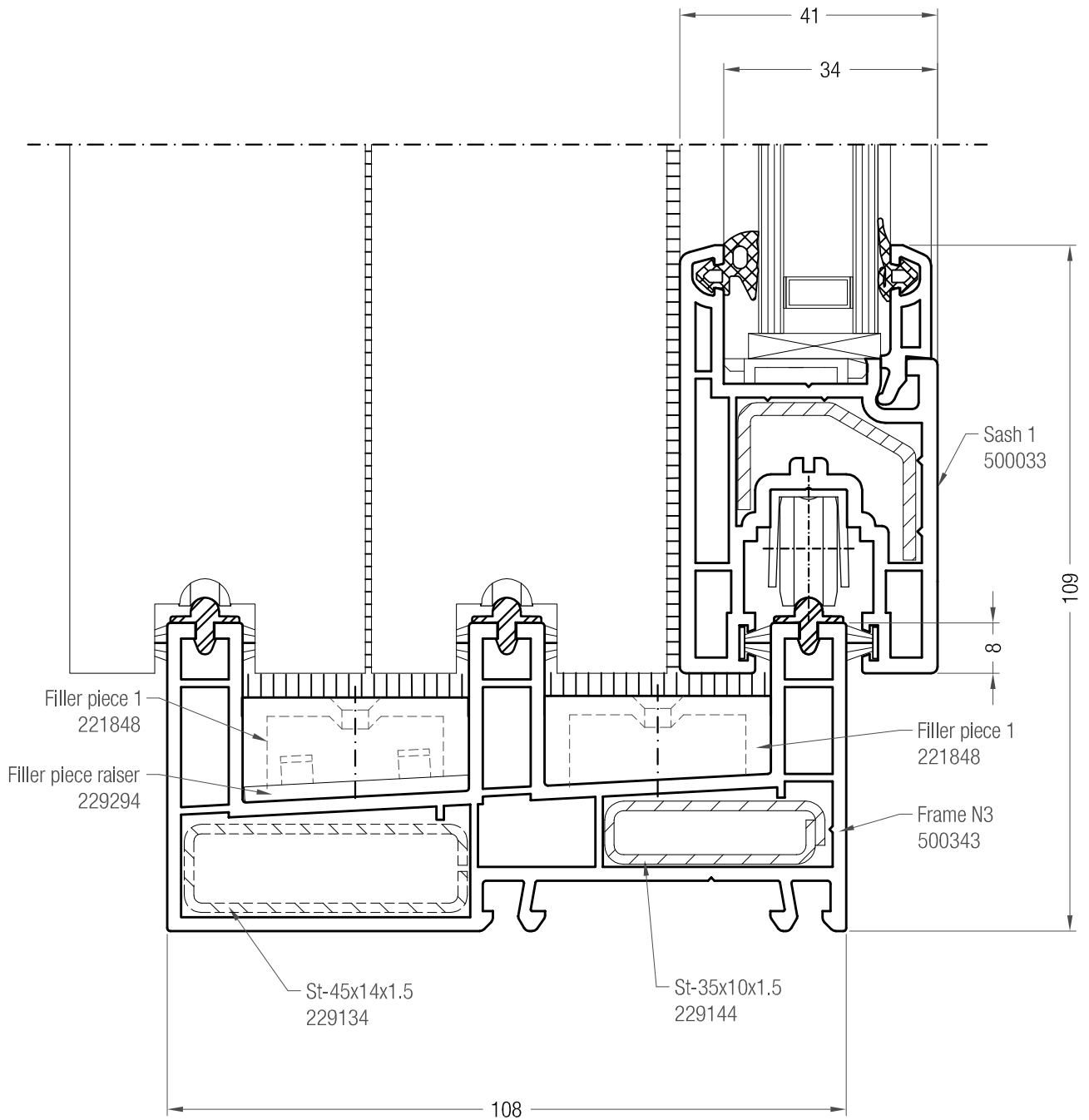
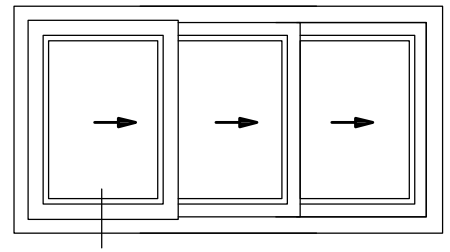
Detail Drawing - Sliding Door, 4-panel, 2-track

Sash 2 / Interlock 4



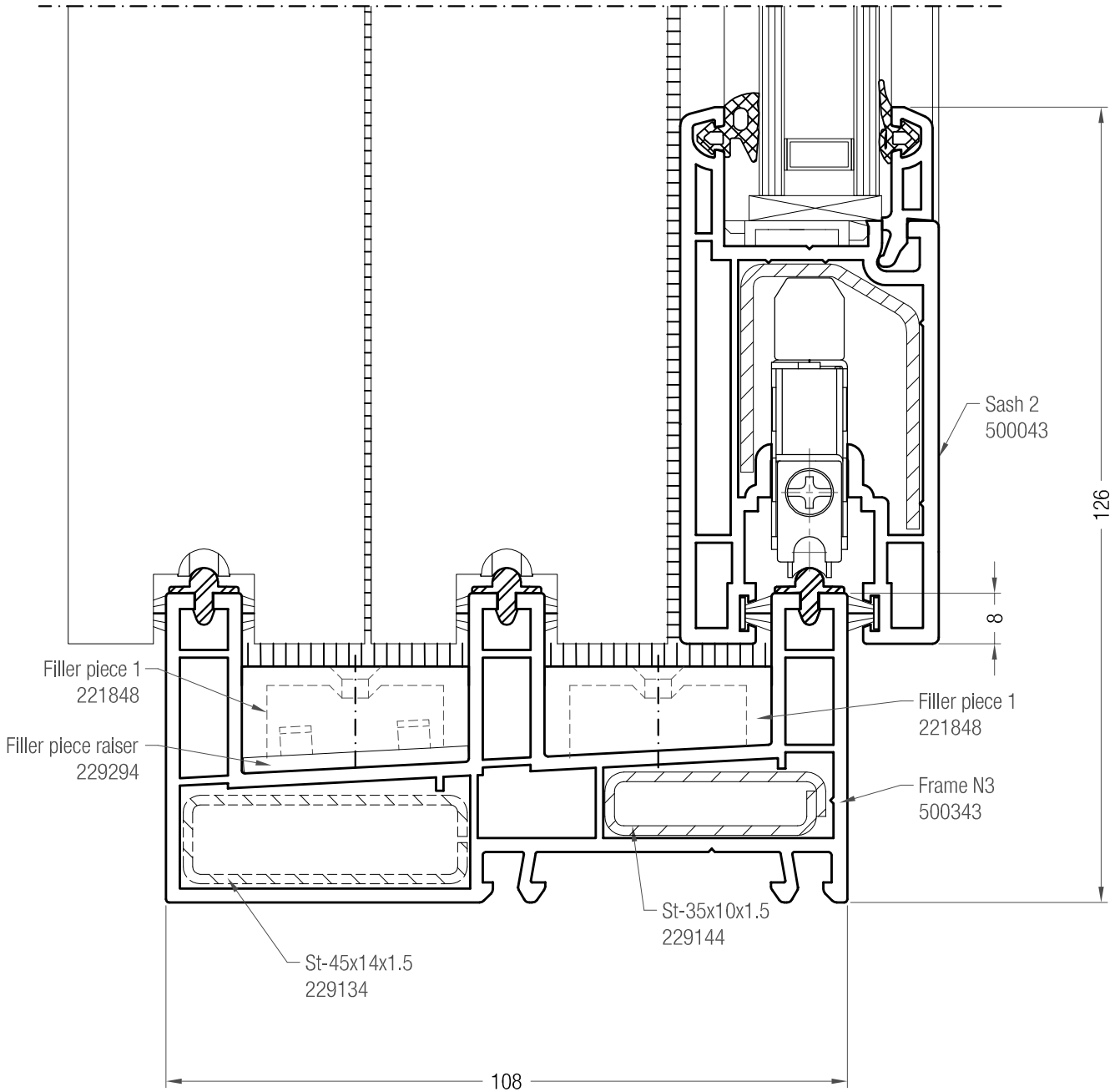
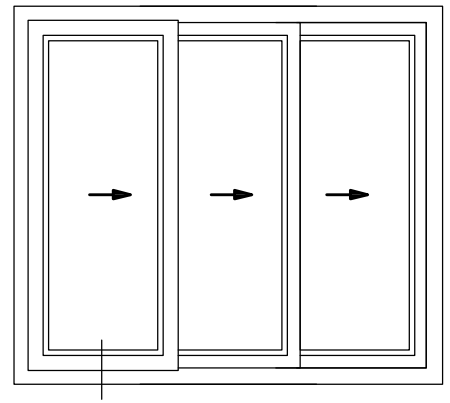
Detail Drawing - Sliding Window, 3-panel, 3-track

Frame N3 / Sash 1 (bottom)



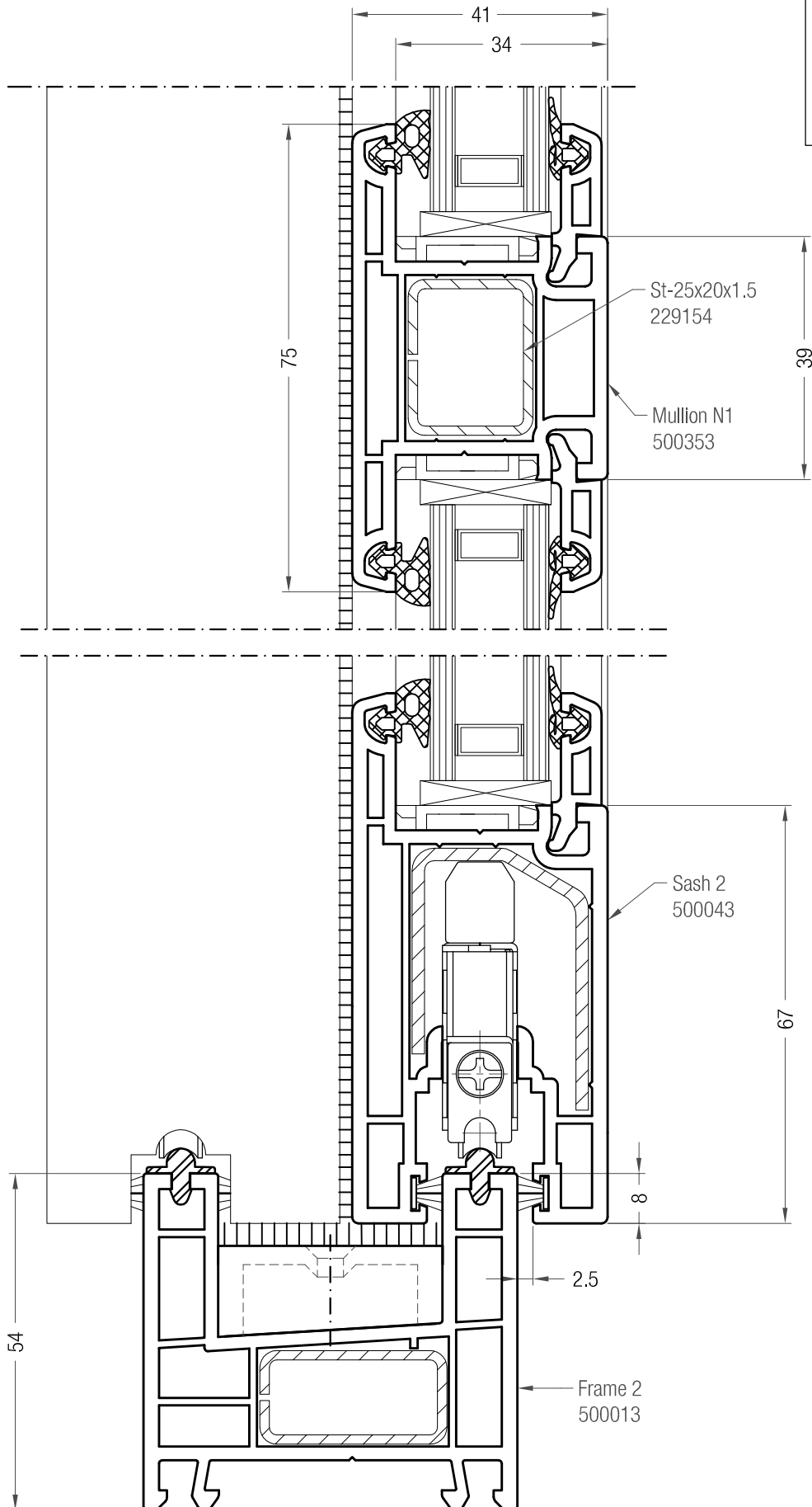
Detail Drawing - Sliding Door, 3-panel, 3-track

Frame N3 / Sash 2 (bottom)



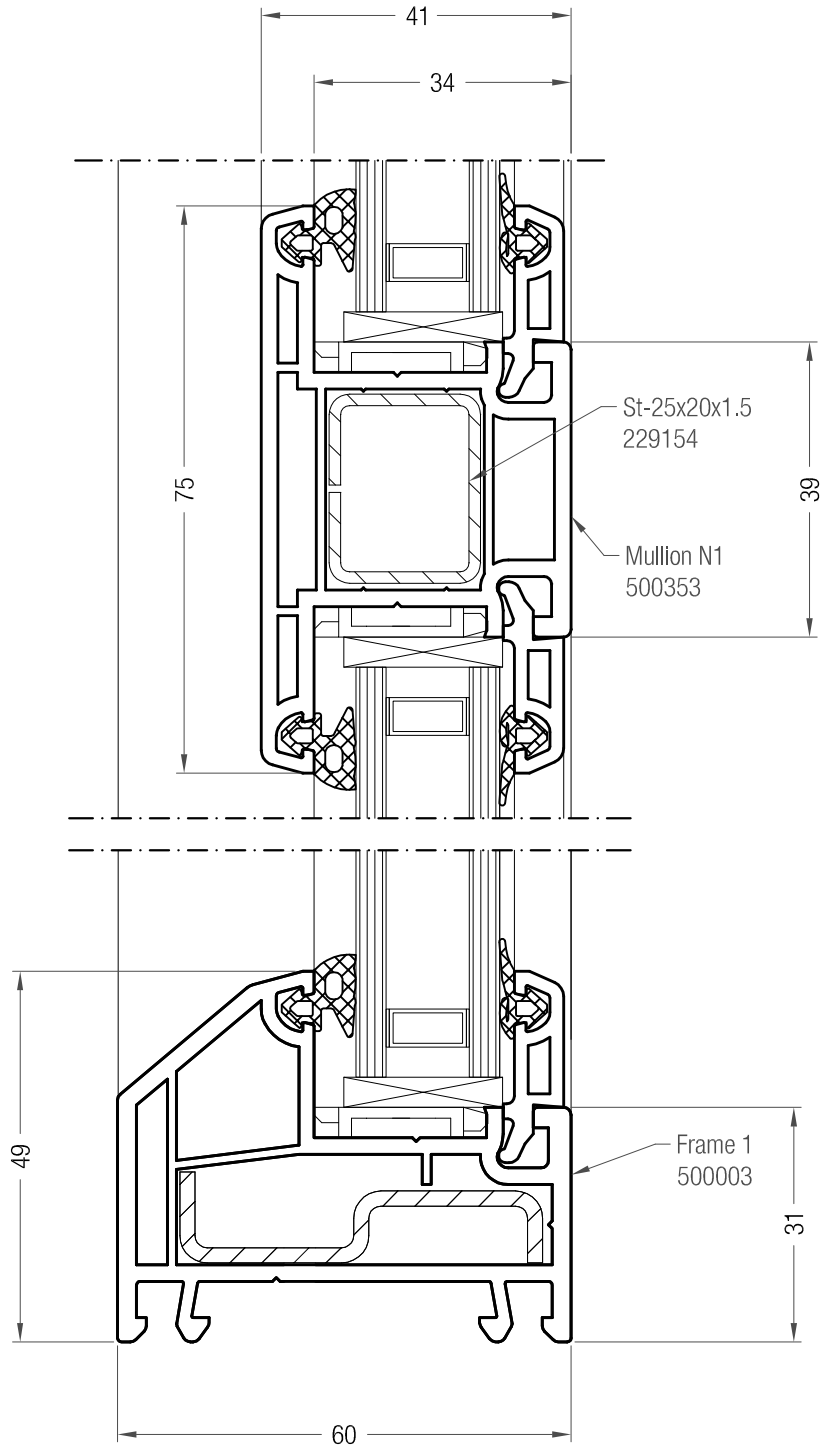
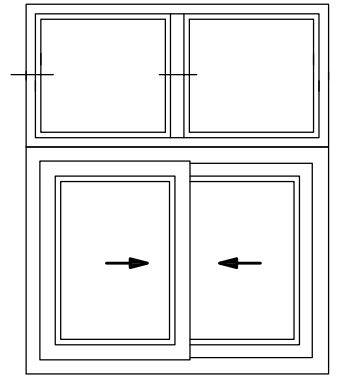
Detail Drawing - Vision Rail on Sliding Door

Sash 2 / Mullion N1



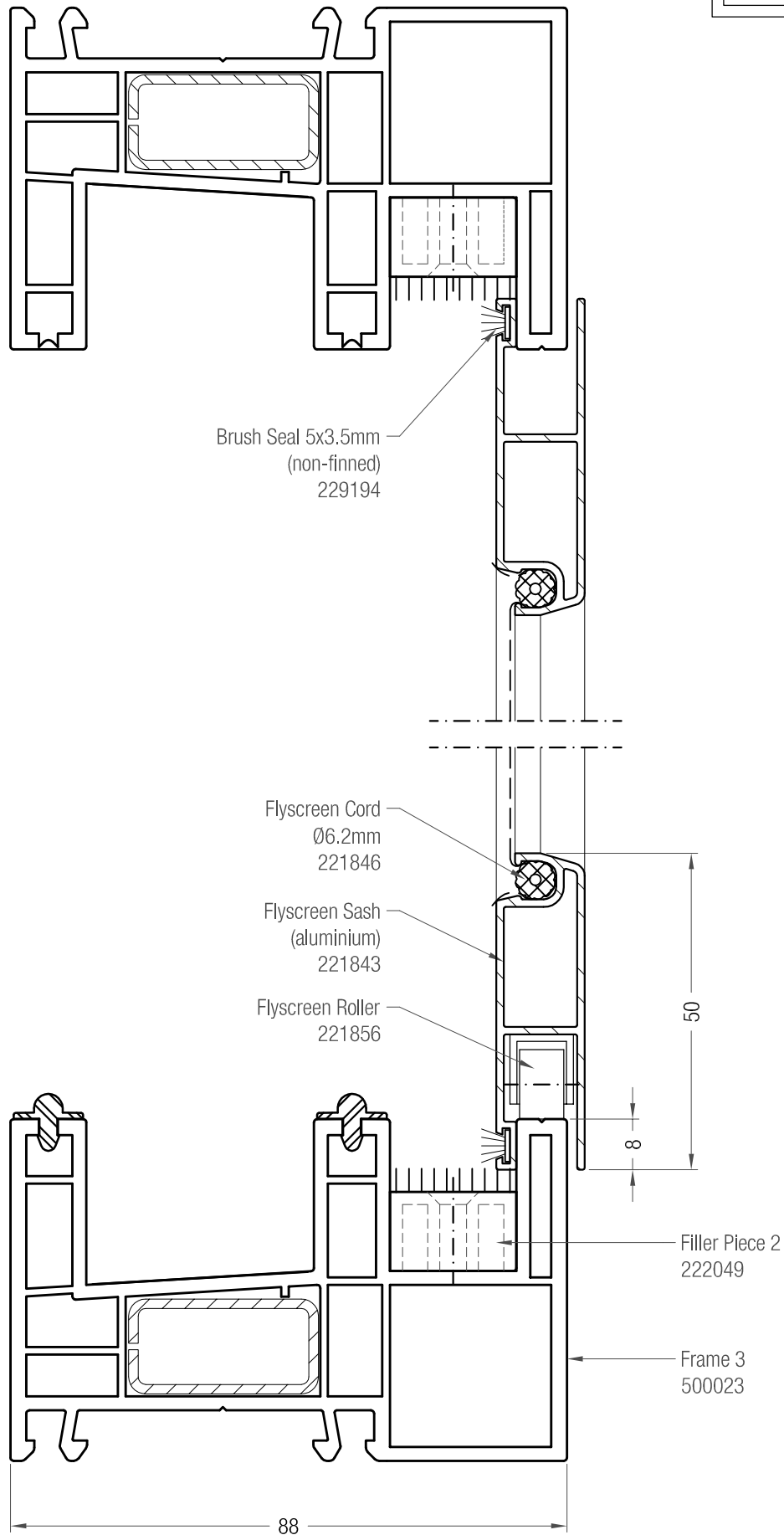
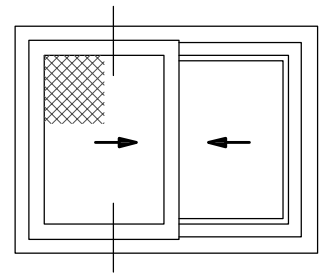
Detail Drawing - Fixed Window with Mullion (above sliding window/door)

Frame 1 / Mullion N1



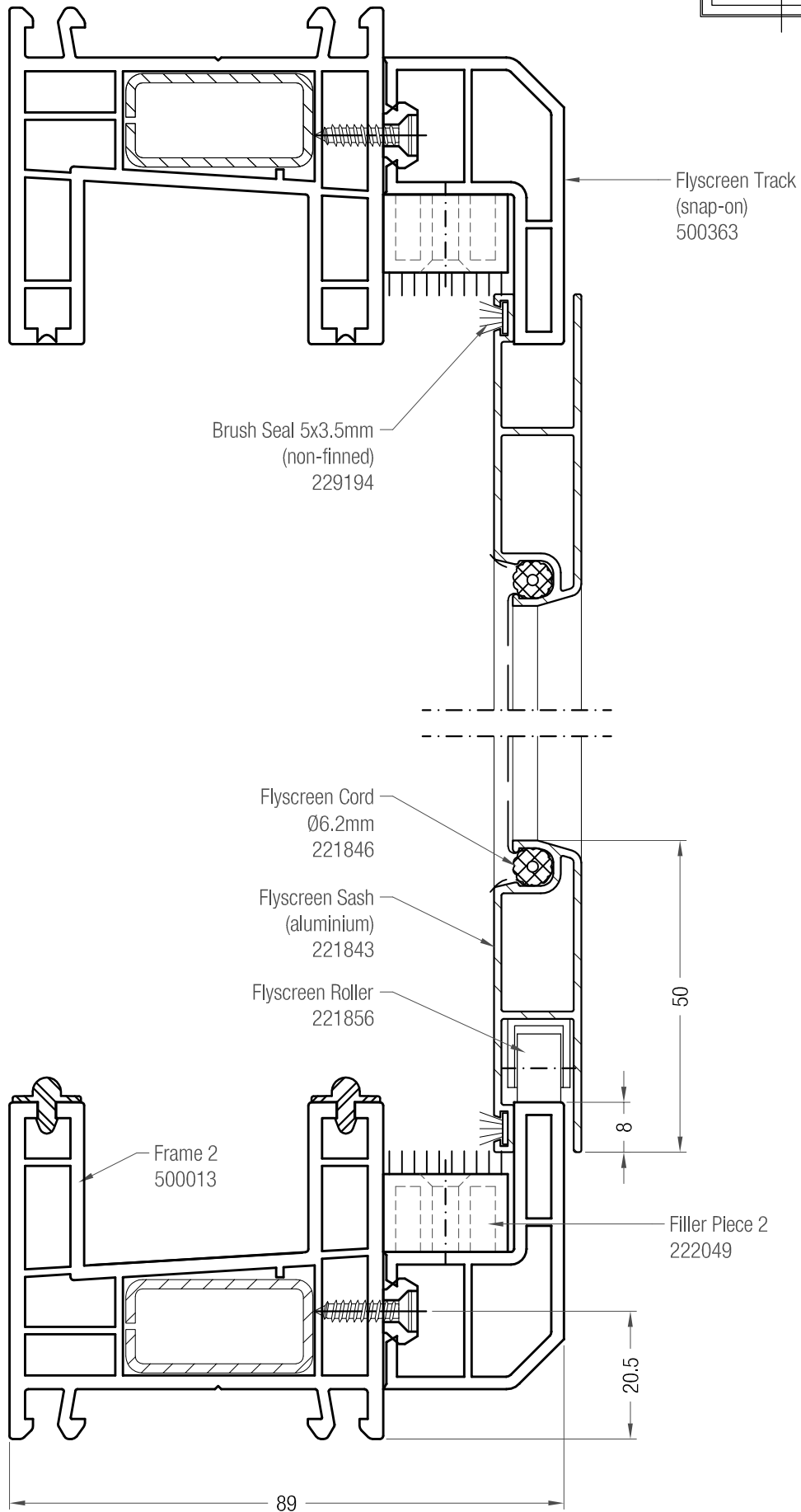
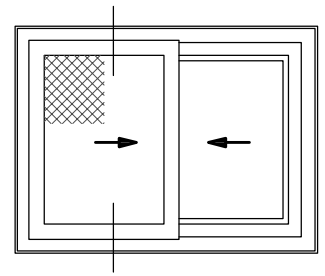
Detail Drawing - Aluminium Flyscreen on Frame 3 flyscreen track for sliding window / door

Frame 3 / Aluminium Flyscreen

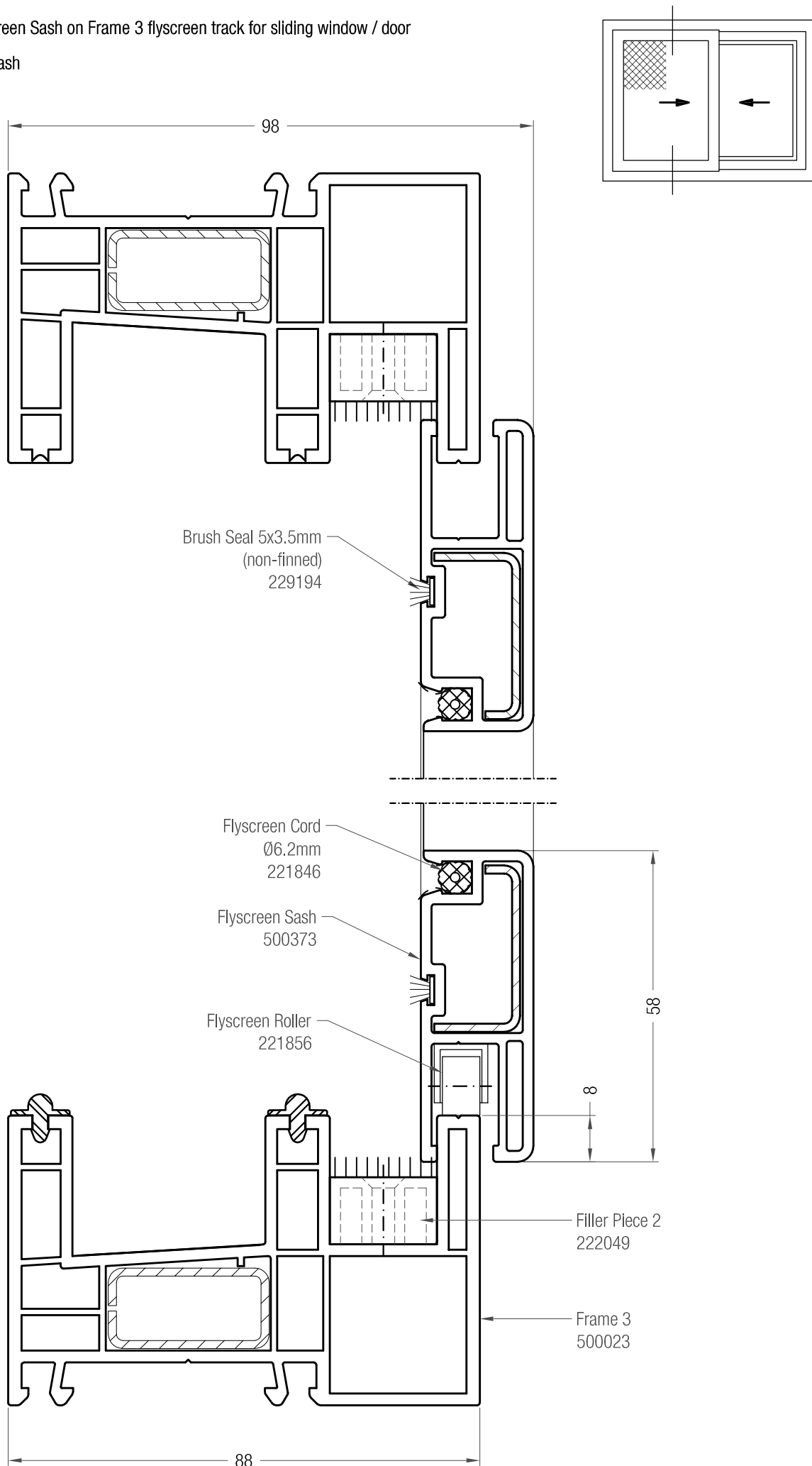


Detail Drawing - Flyscreen Track on Sliding Window/Door

Frame 2 / Flyscreen Track / Aluminium Flyscreen



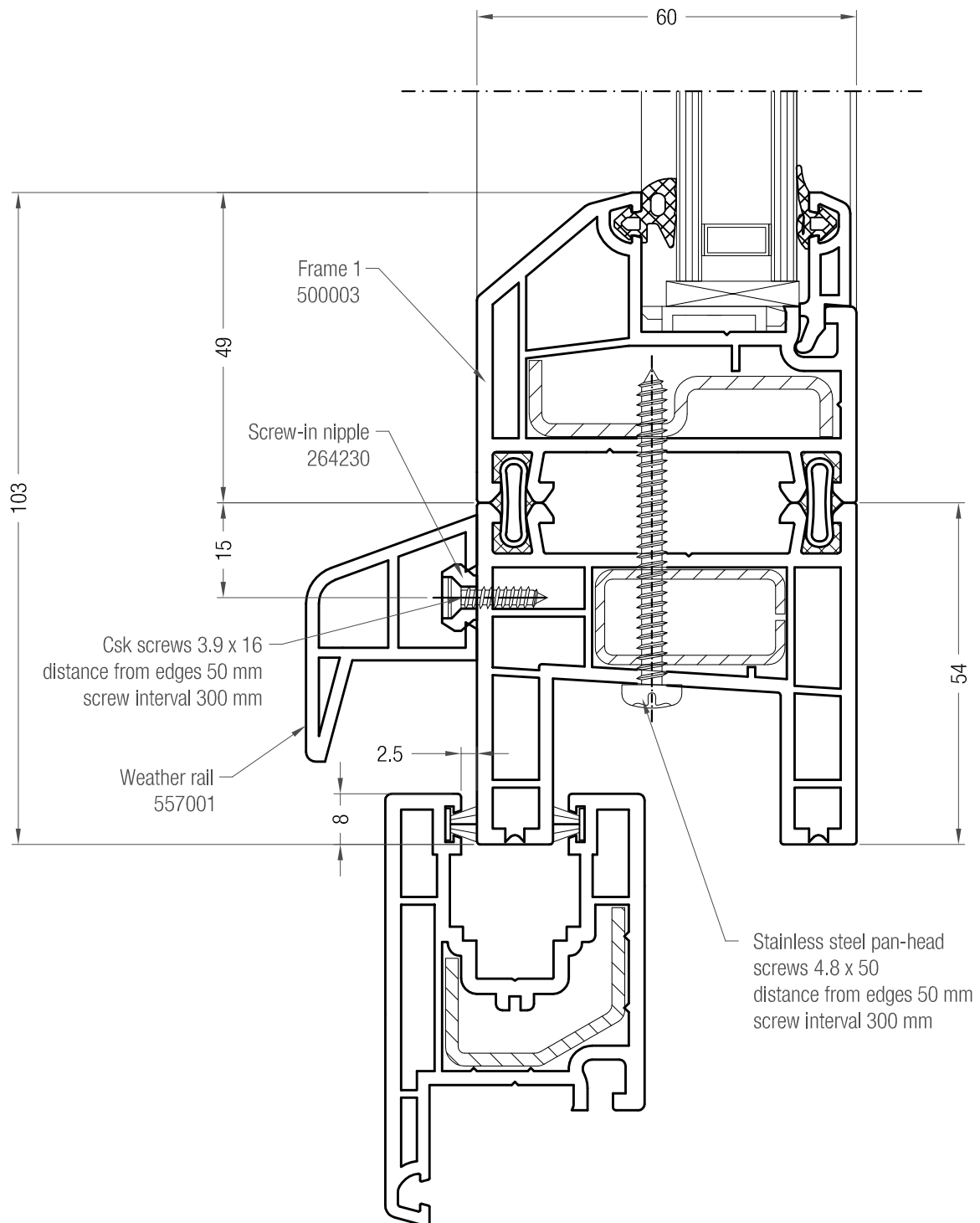
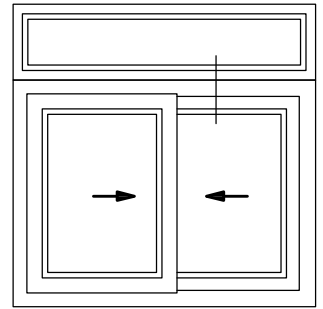
Frame 3 / Flyscreen Sash





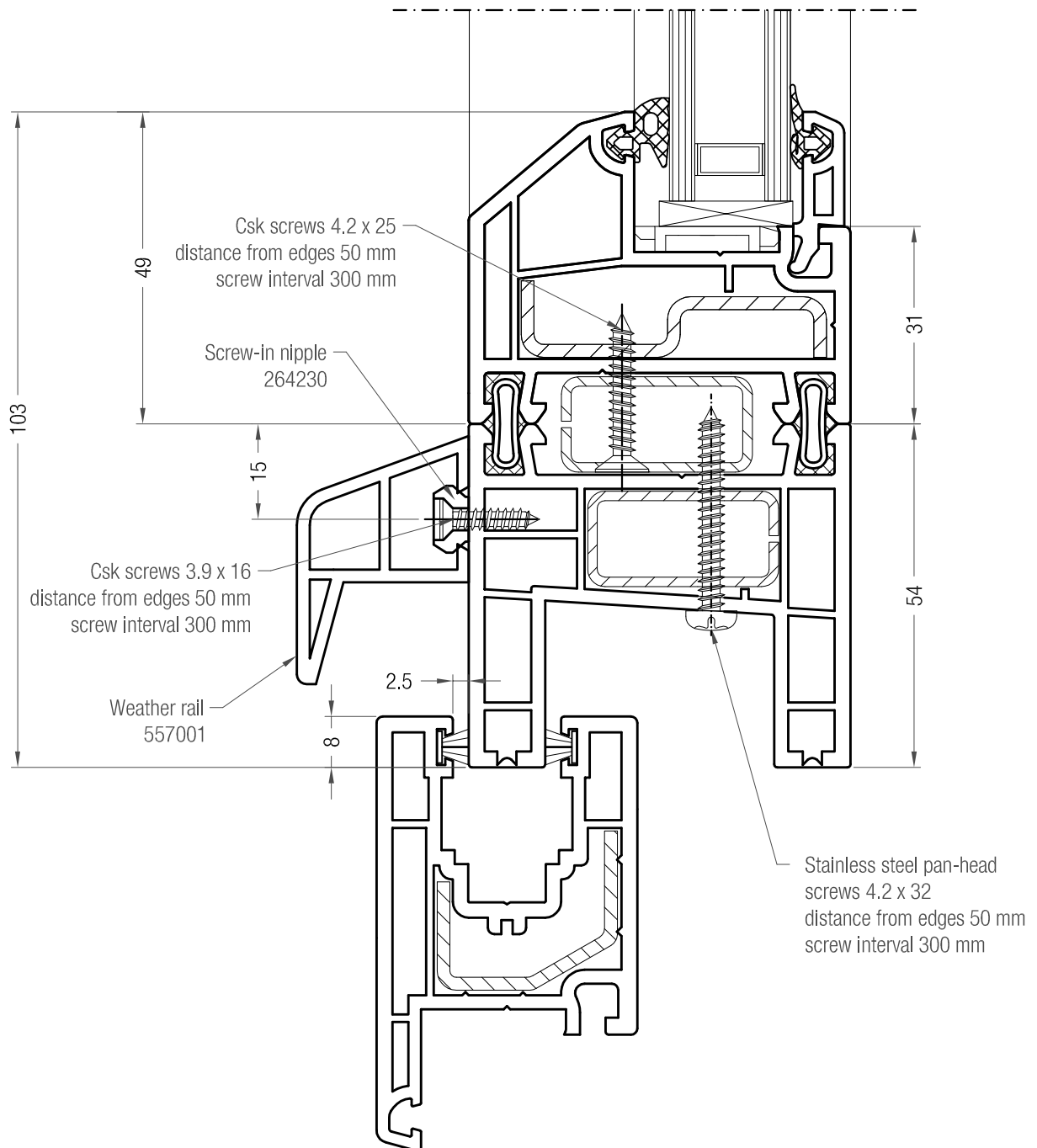
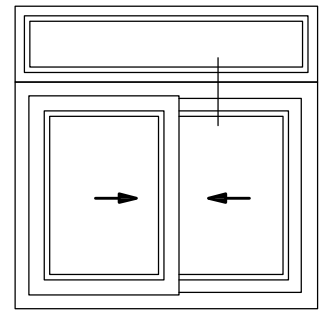
Detail Drawing - Sliding Window, 2-panel with top fixed window

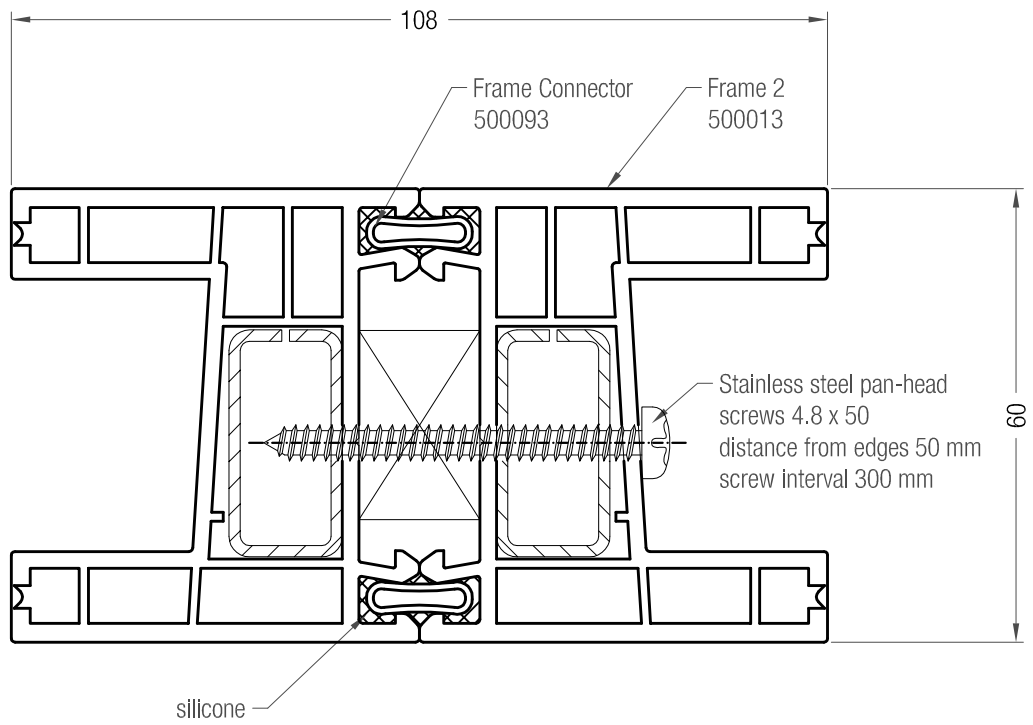
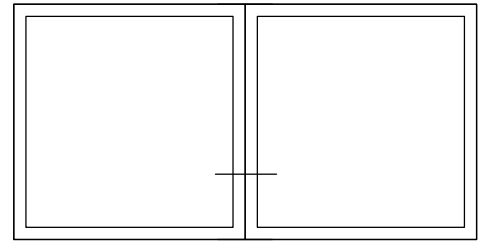
Frame 2 / Frame 1

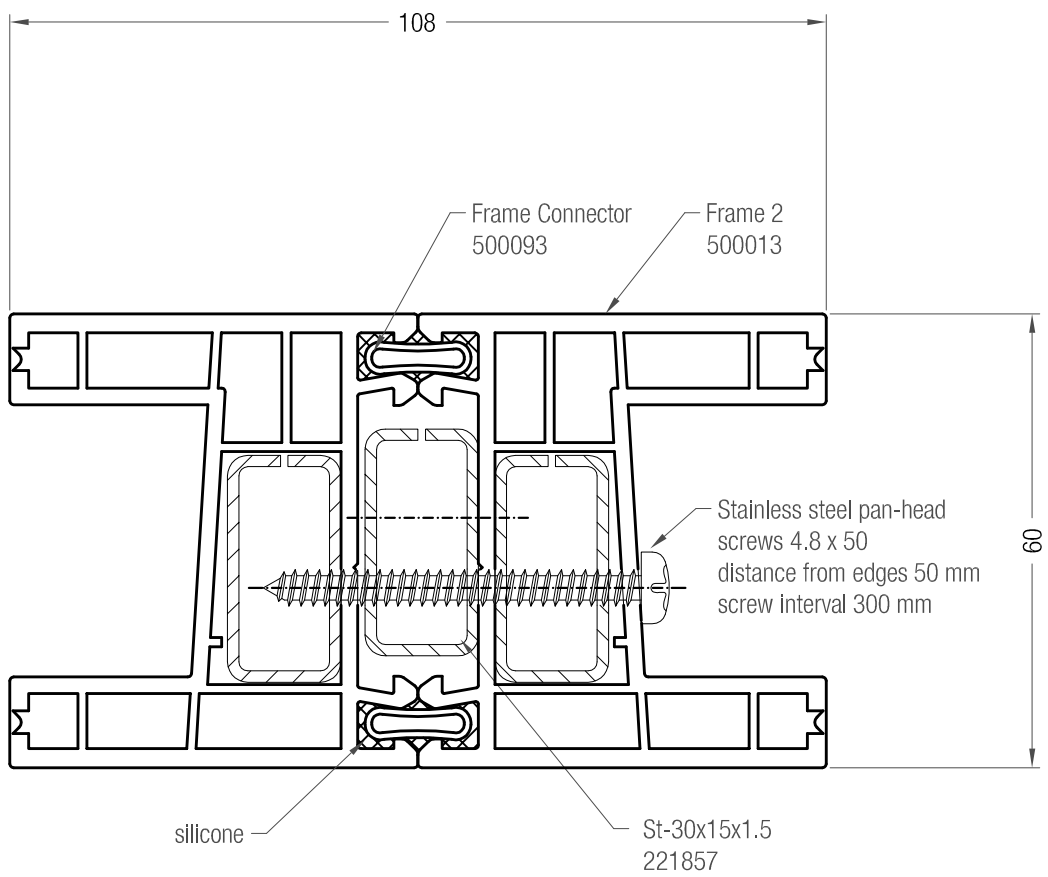
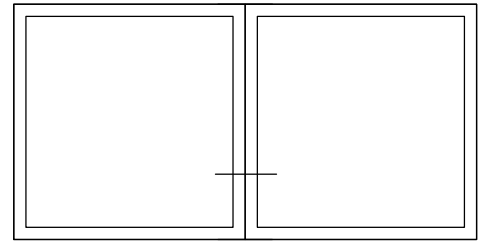


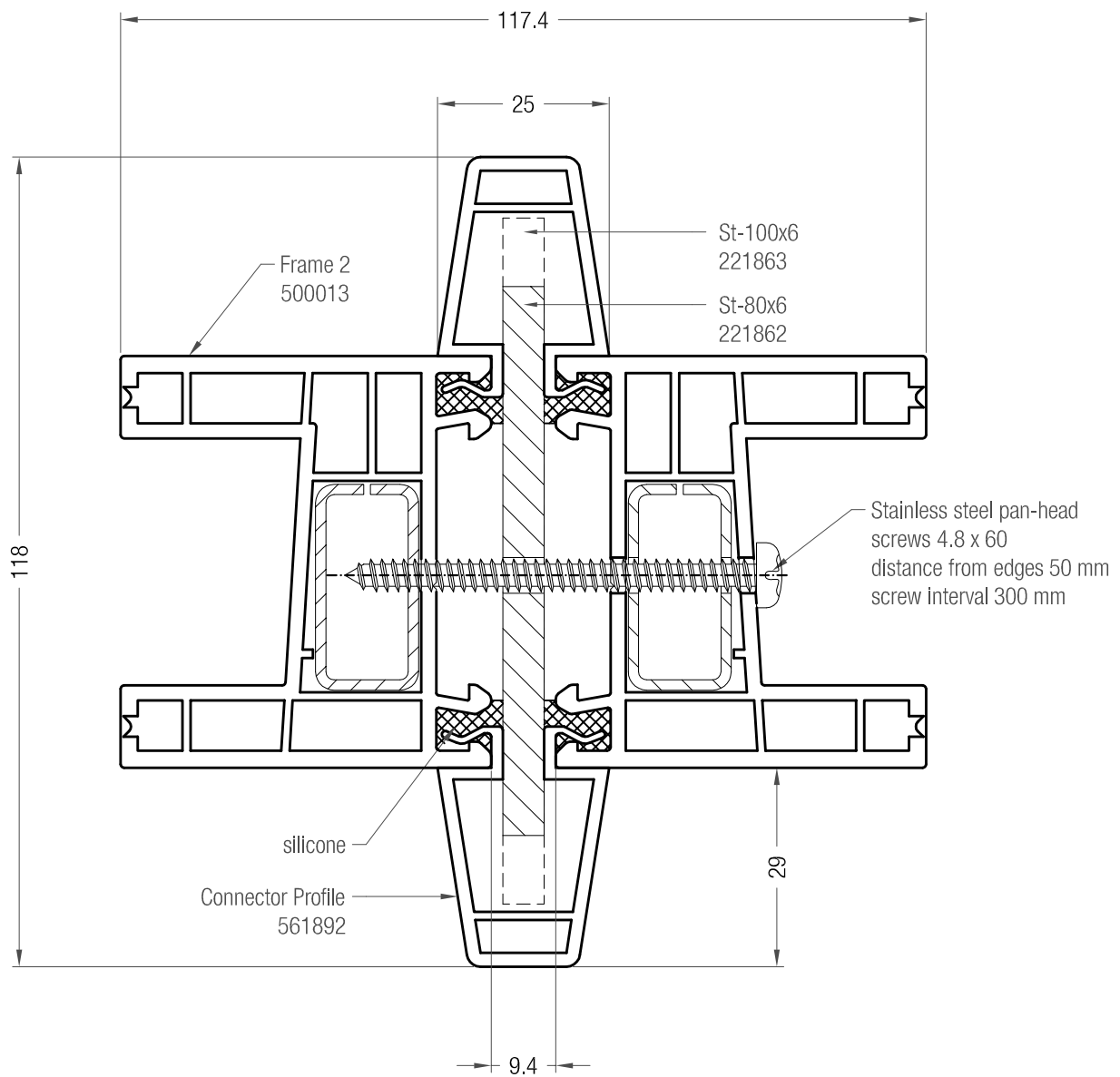
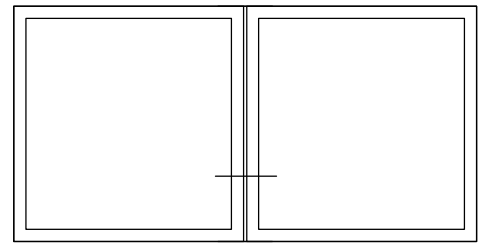
Detail Drawing - Sliding Window, 2-panel with top fixed window

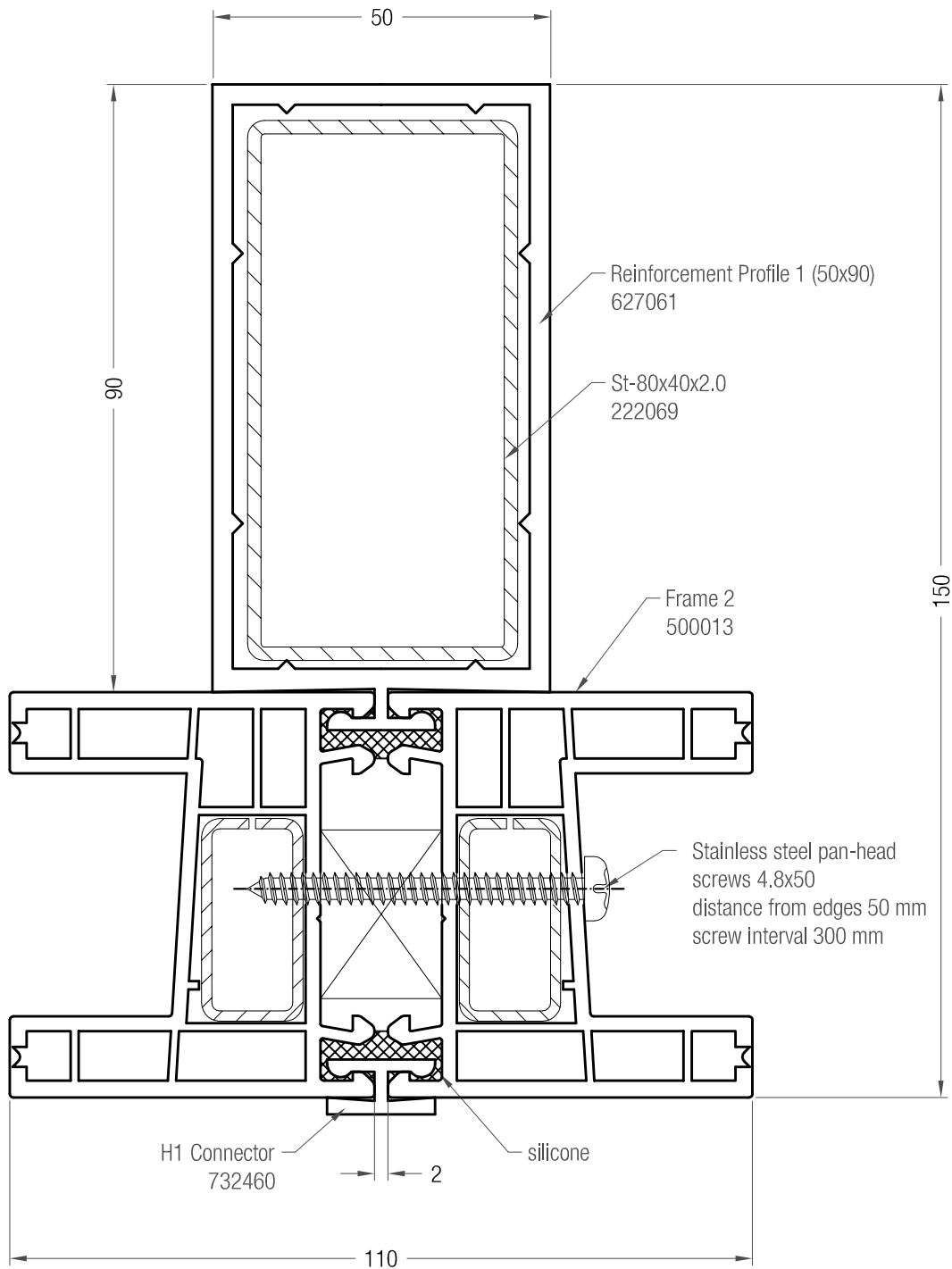
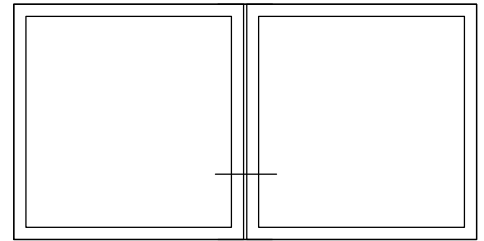
Frame 2 / Frame 1 with added reinforcement

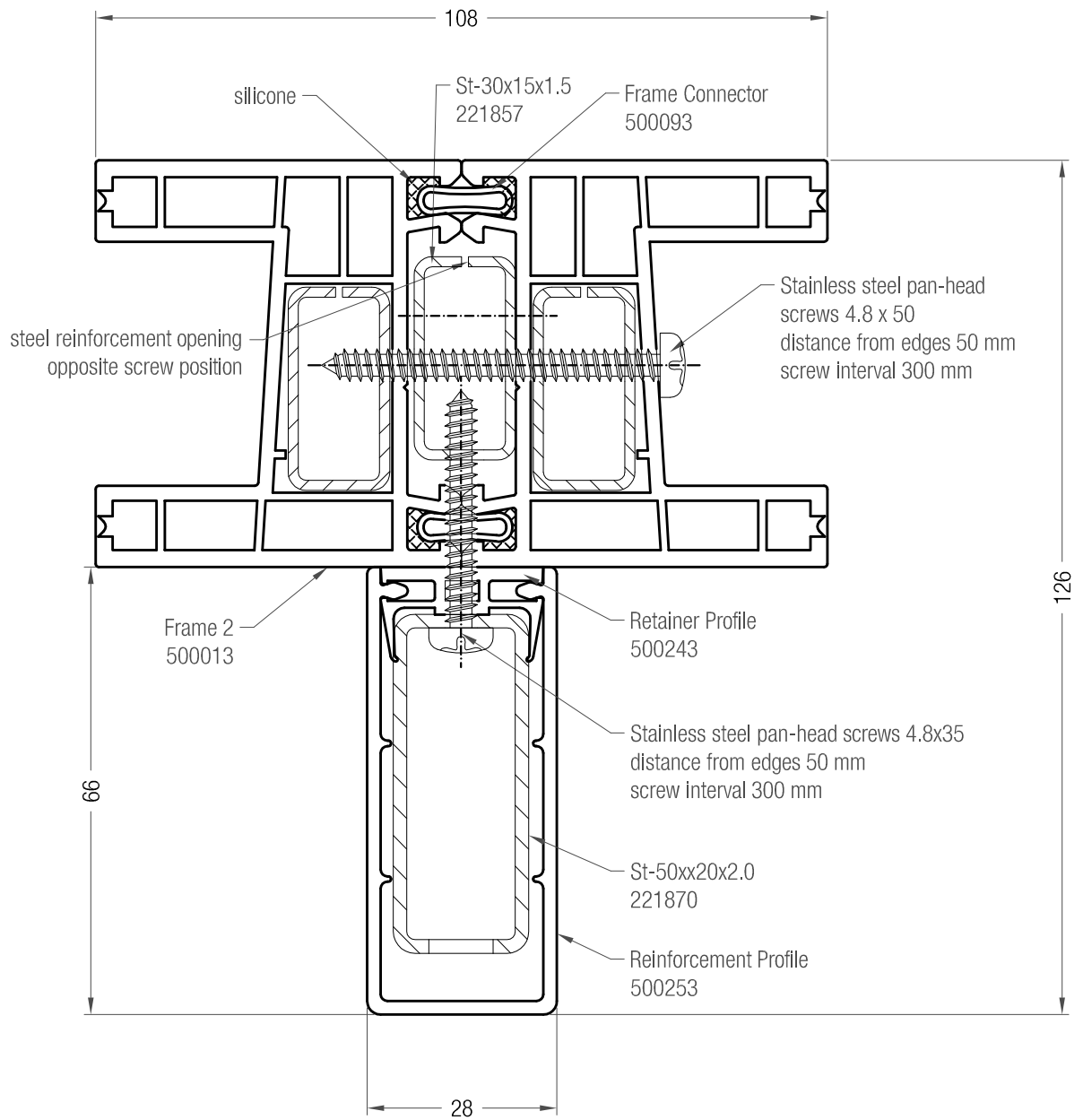
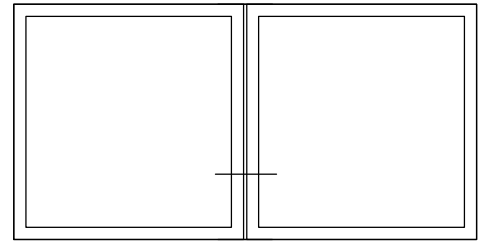


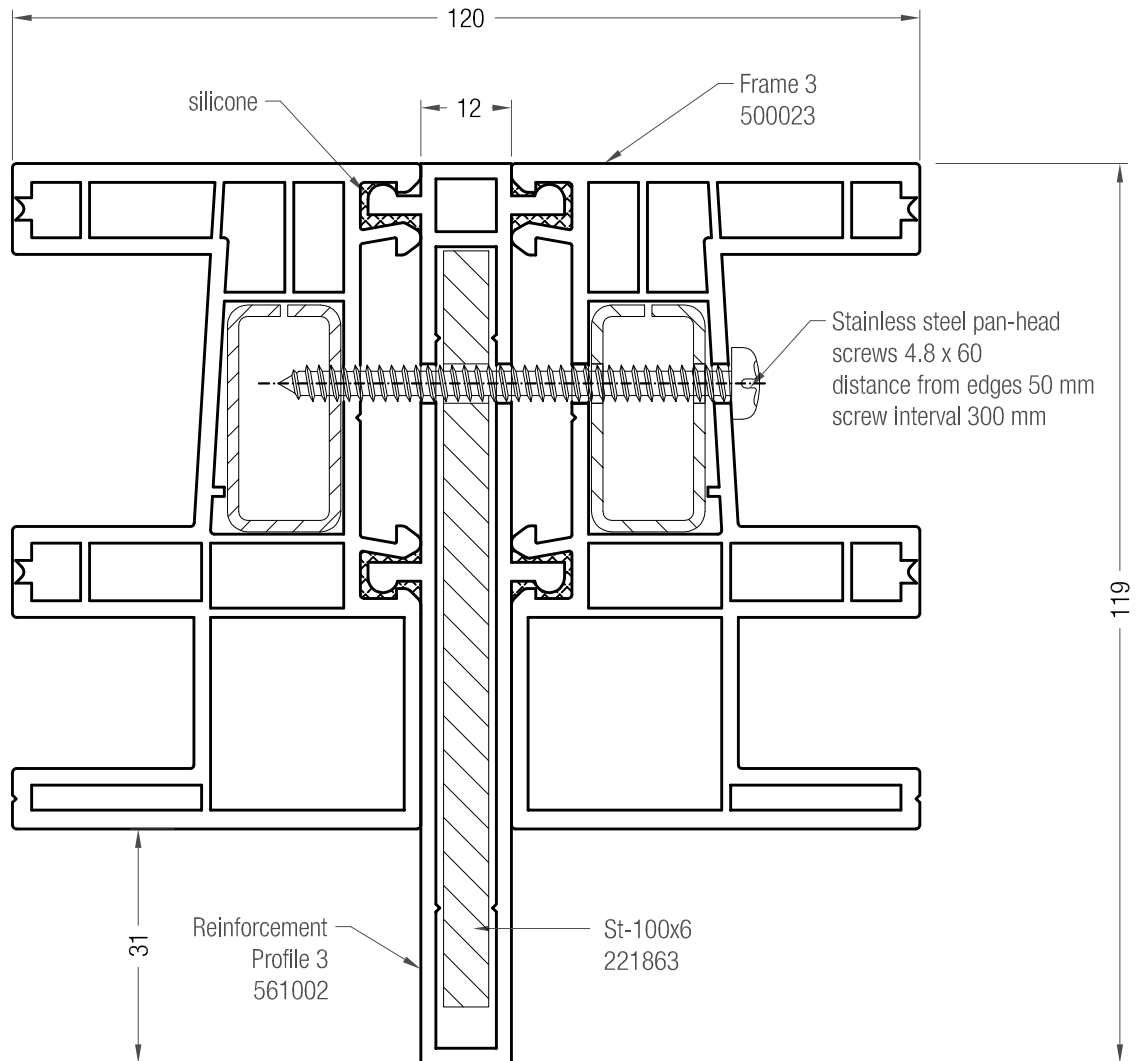
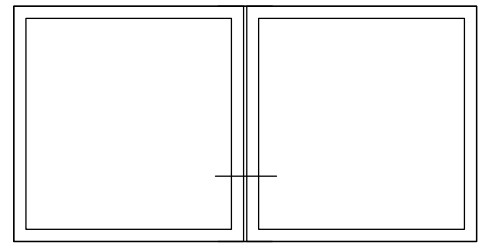




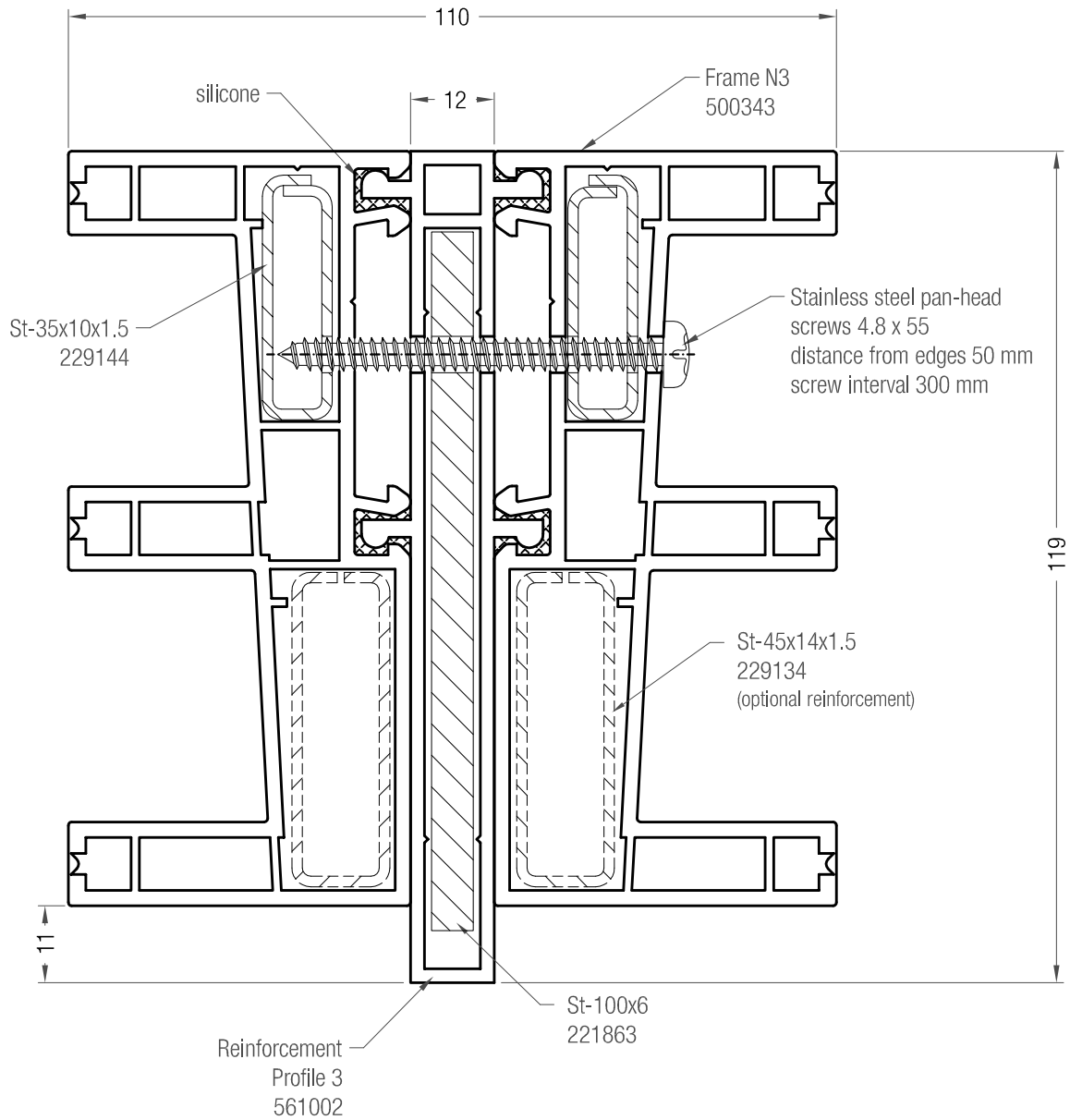
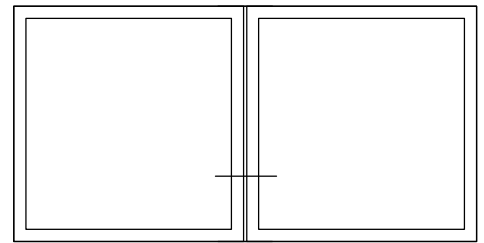






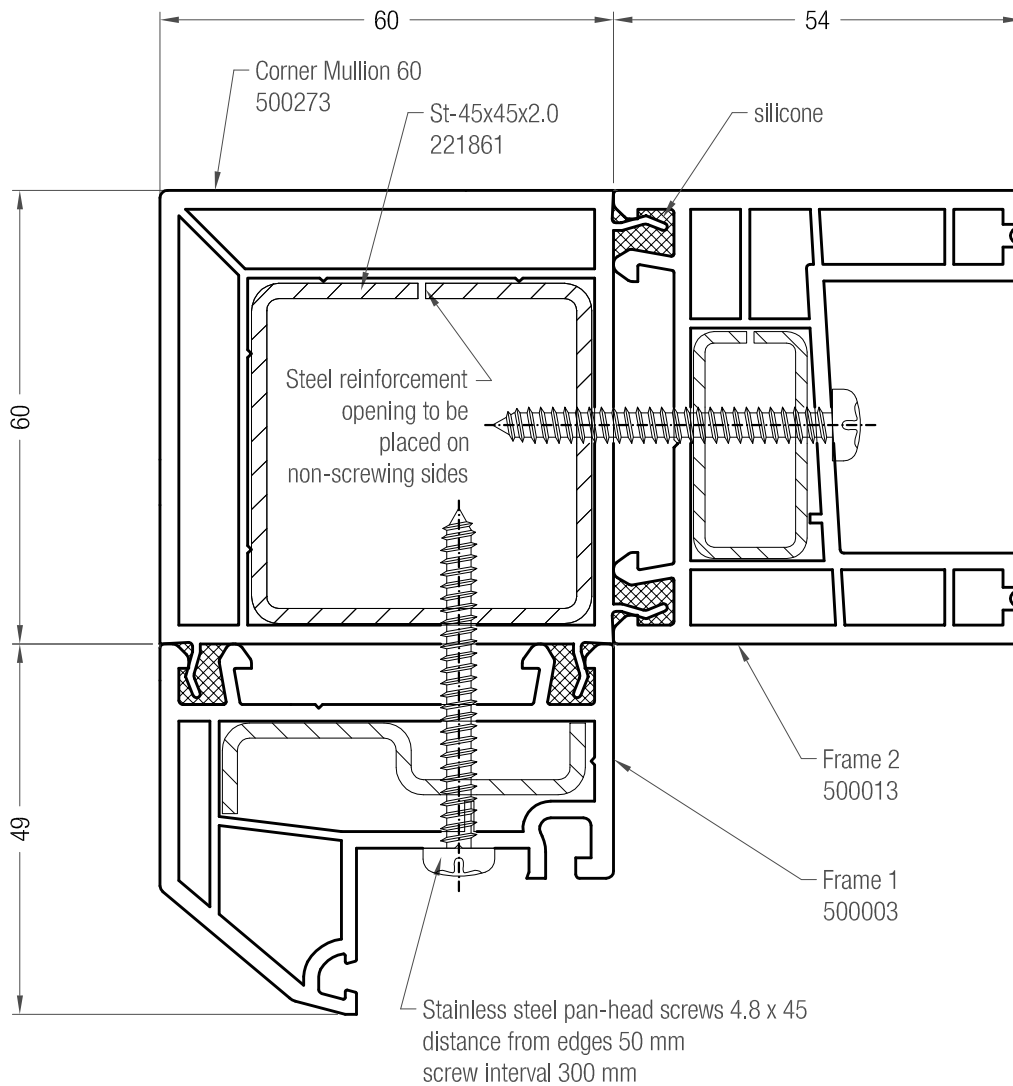
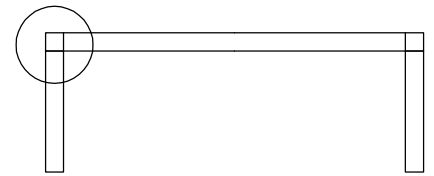






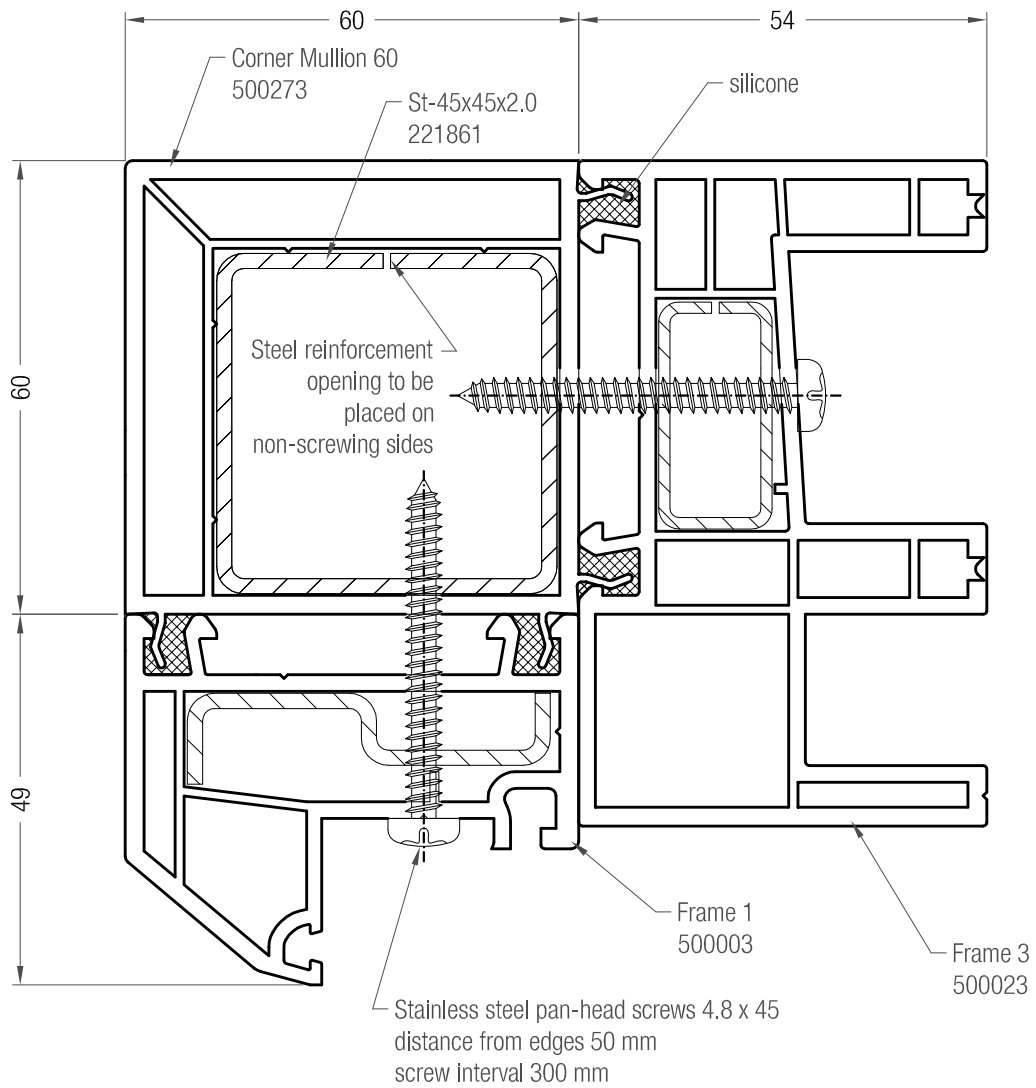
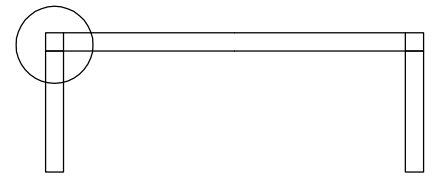
Detail Drawing - 90° Corner-Turn Connection

Frame 2 / Corner Mullion 60 / Frame 1



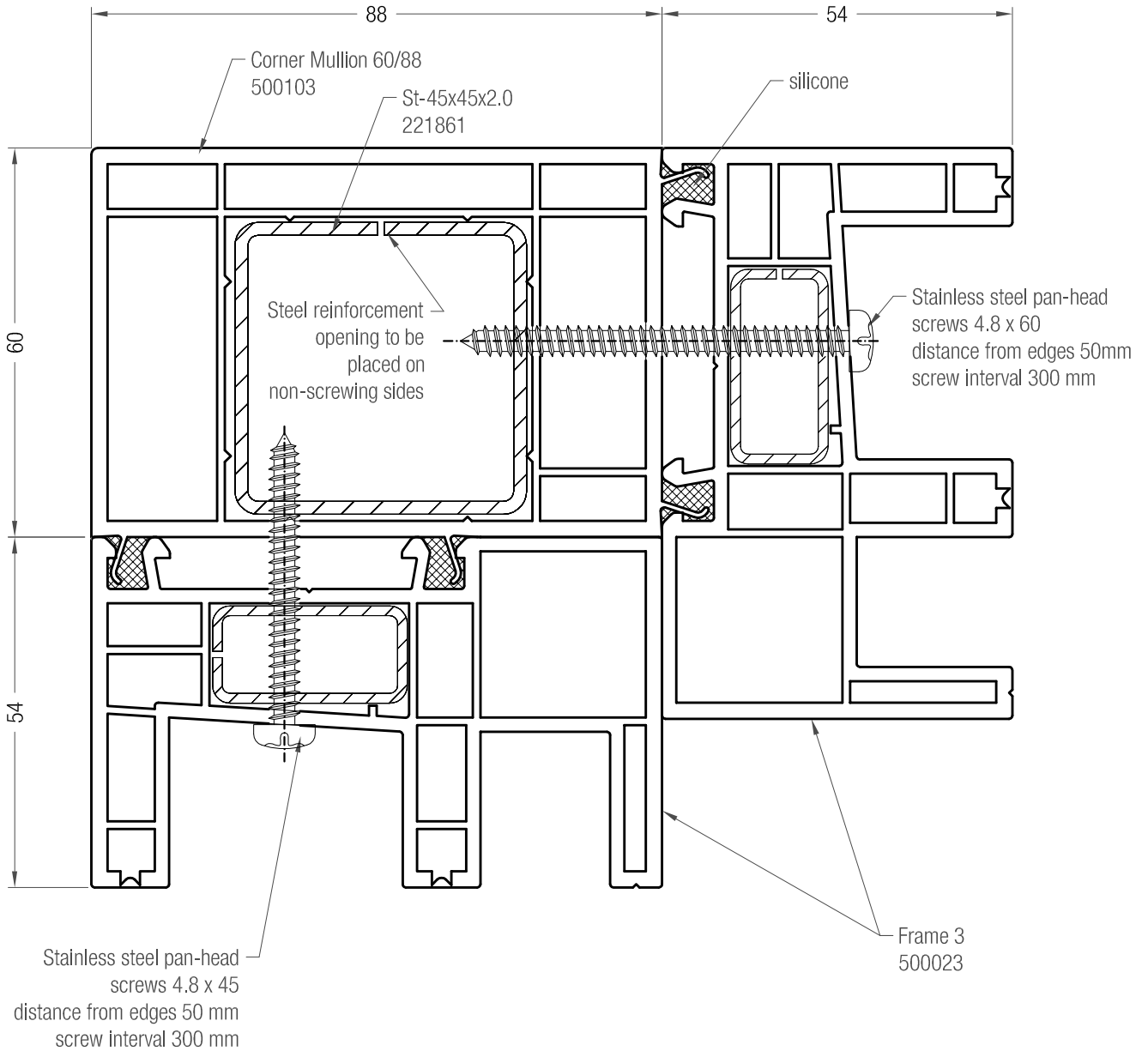
Detail Drawing - 90° Corner-Turn Connection

Frame 3 / Corner Mullion 60 / Frame 1



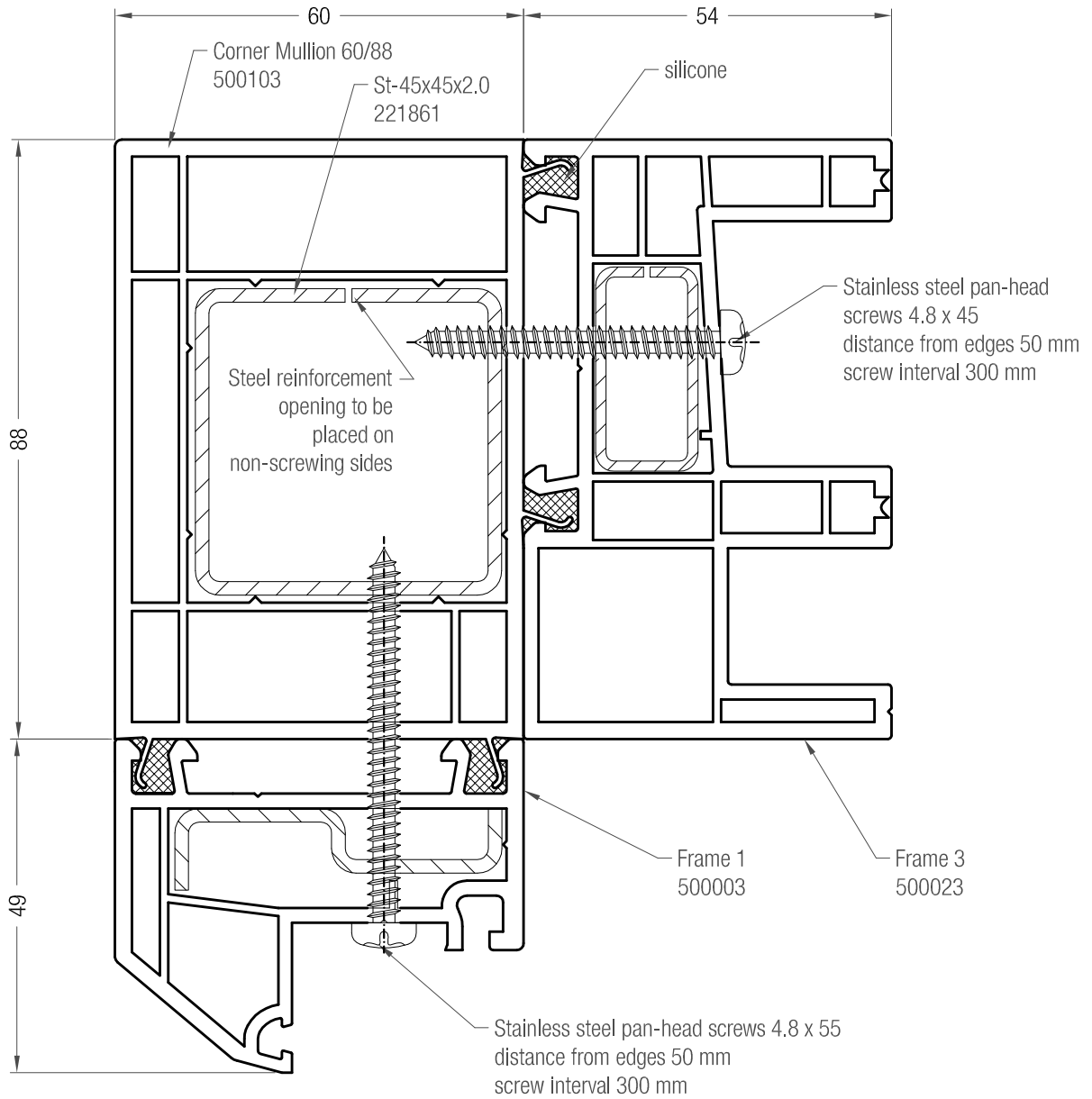
Detail Drawing - 90° Corner-Turn Connection

Frame 3 / Corner Mullion 60/88 / Frame 3



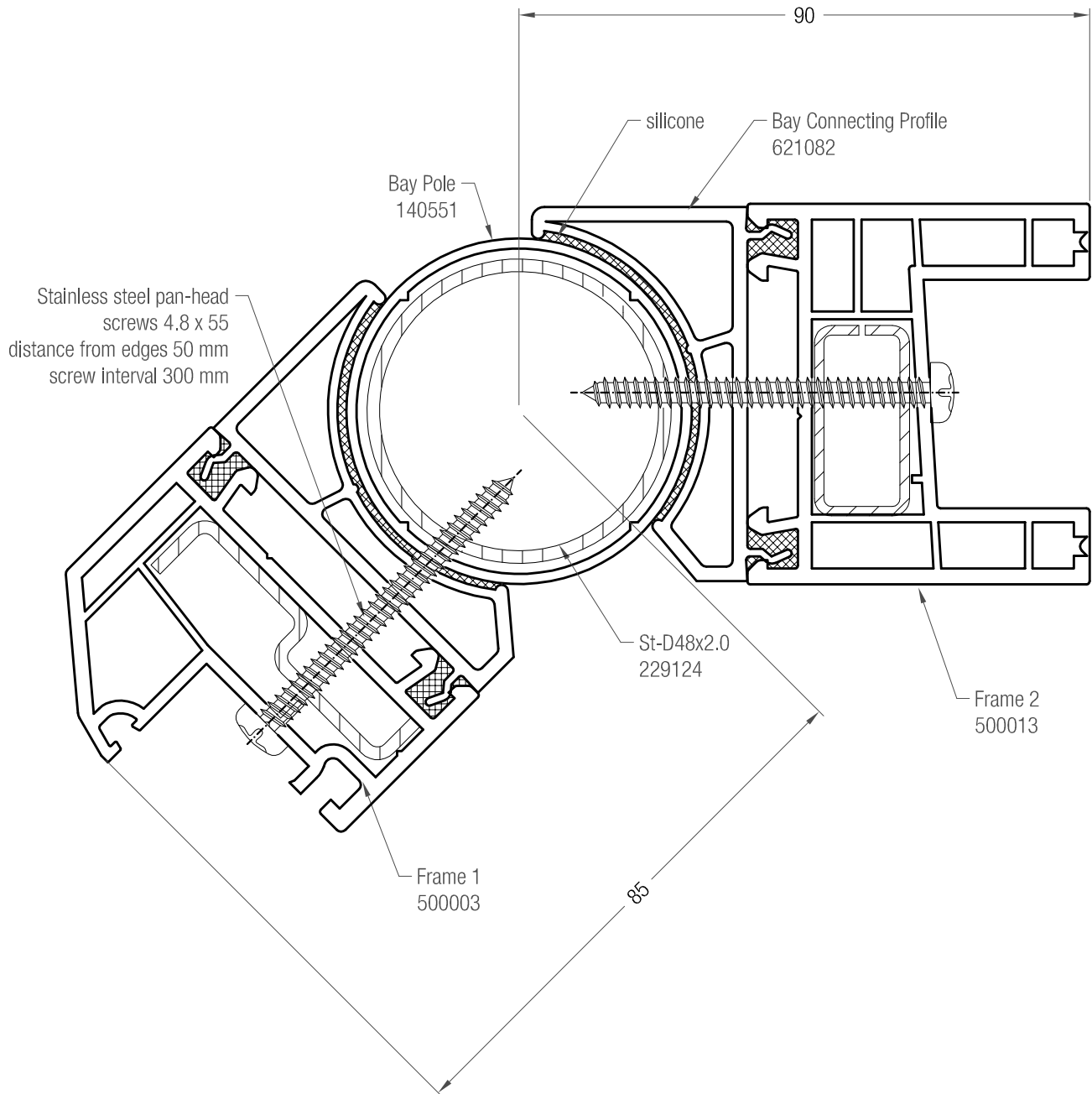
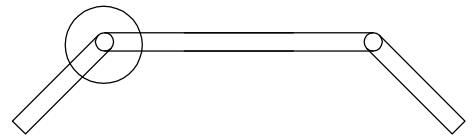
Detail Drawing - 90° Corner-Turn Connection

Frame 3 / Corner Mullion 60/88 / Frame 1



Detail Drawing - Variable Angle Connection

Frame 2 / Bay Connecting Profile / Bay Pole / Frame 1



Detail Drawing - Variable Angle Connection

Frame 3 / Bay Connecting Profile / Bay Pole / Frame 1

