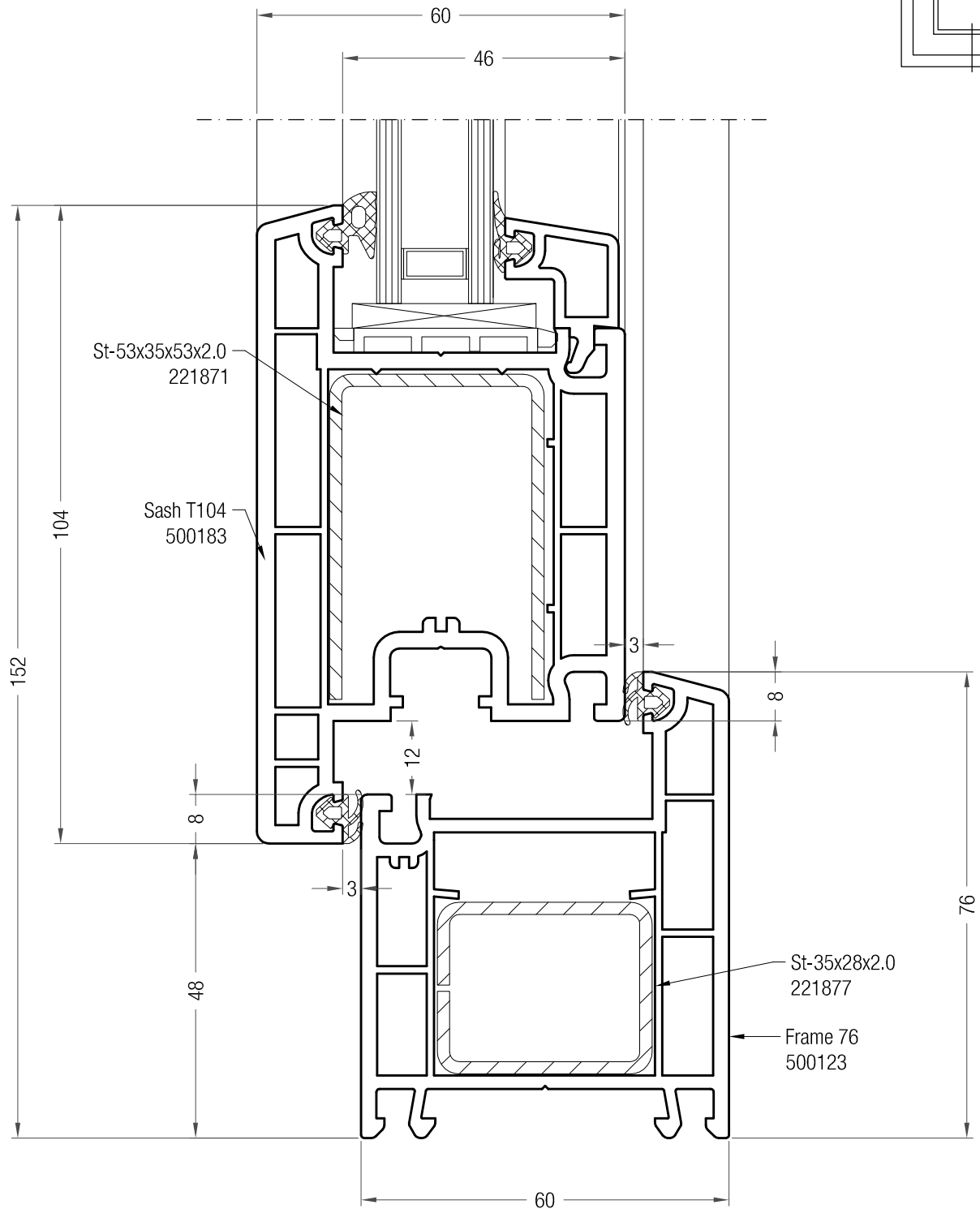
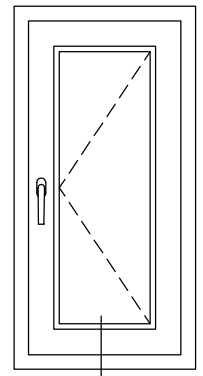


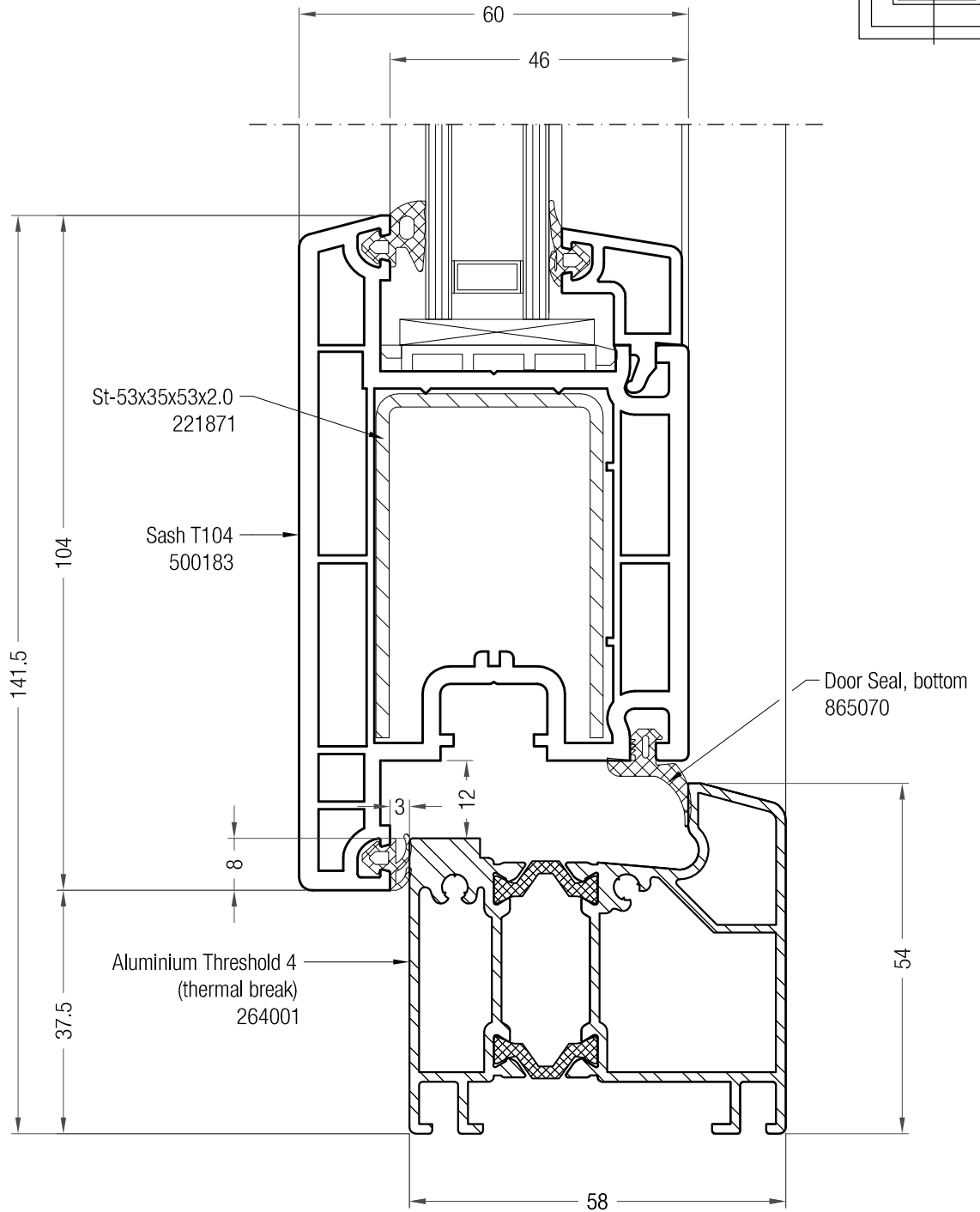
Detail Drawing - Outward Open Door

Frame 76 / Sash T104 / Box-shape steel reinforcement



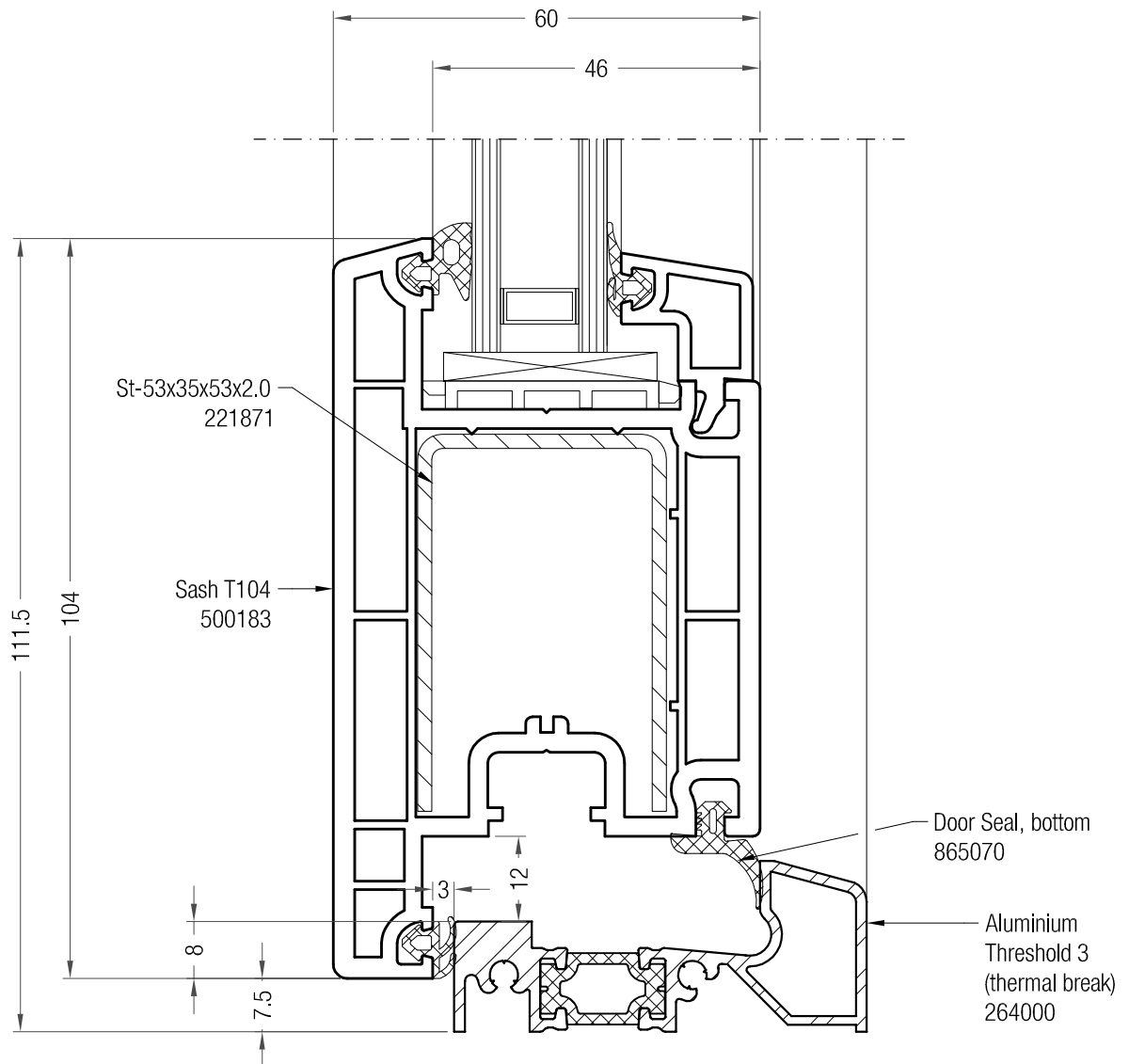
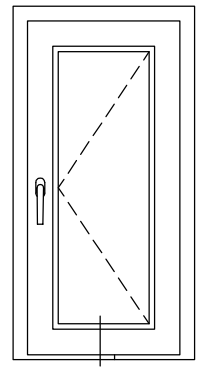
Detail Drawing - Outward Open Door

Aluminium Threshold 4 (thermal break) / Sash T104



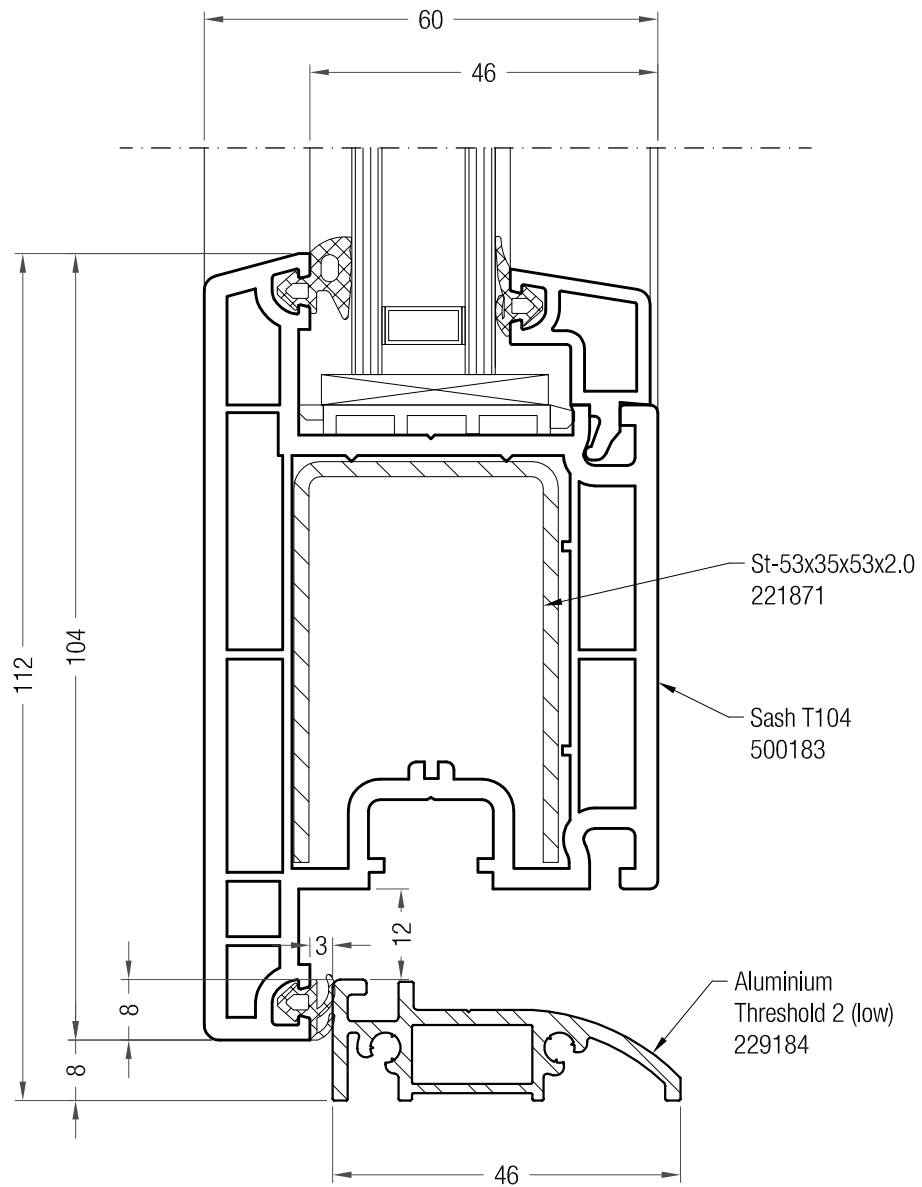
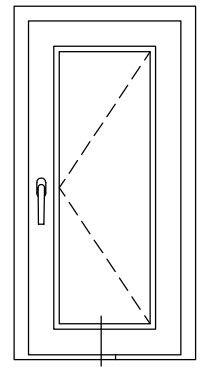
Detail Drawing - Outward Open Door

Aluminium Threshold 3 (thermal break) / Sash T104



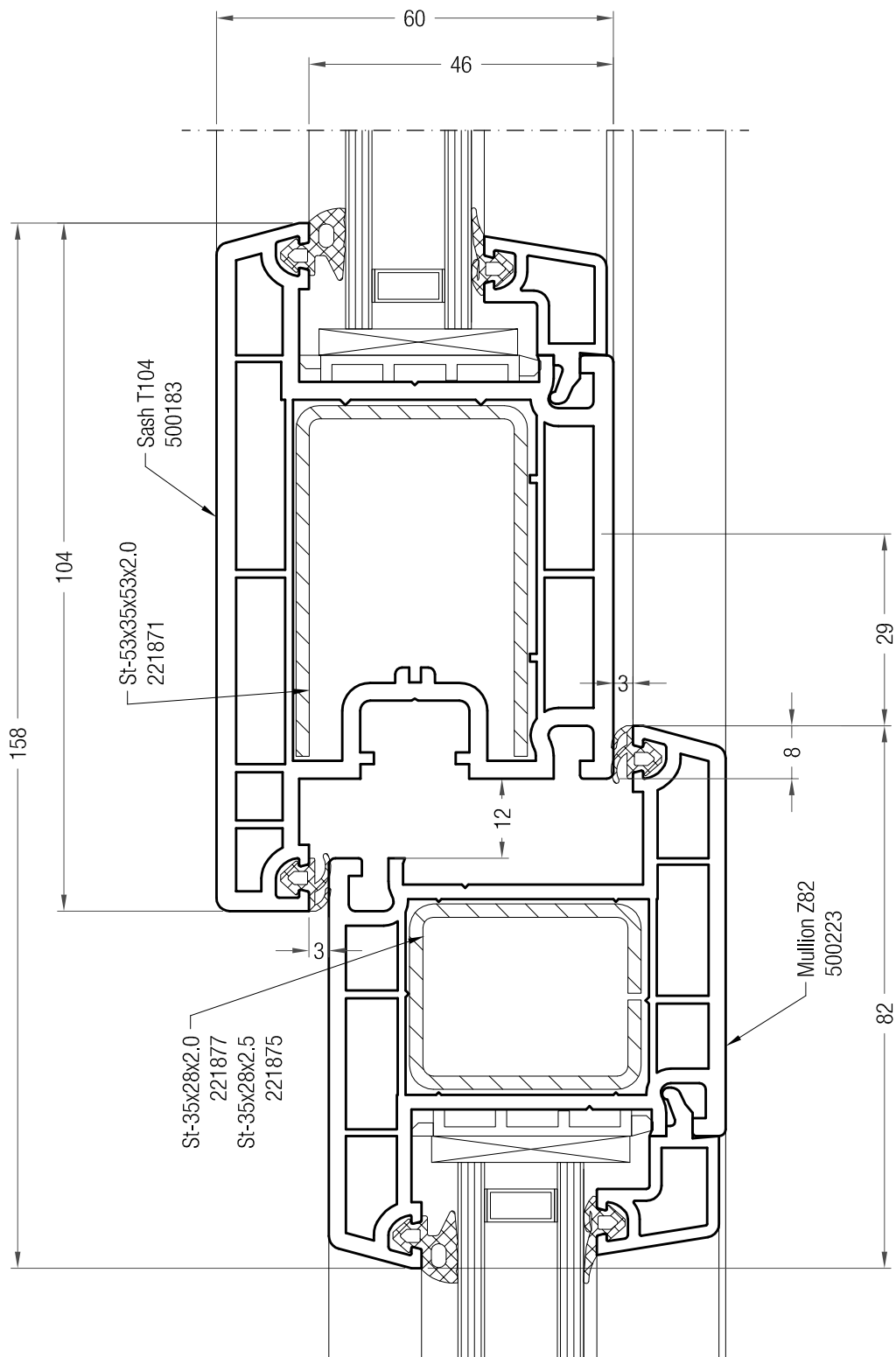
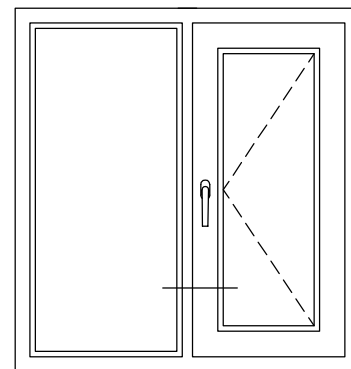
Detail Drawing - Outward Open Door

Aluminium Threshold 2 (low) / Sash T104



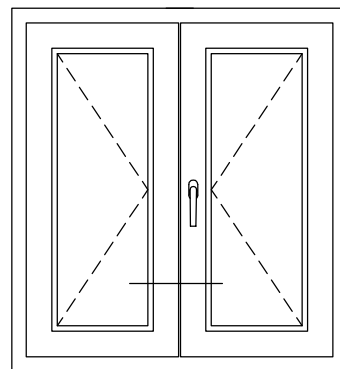
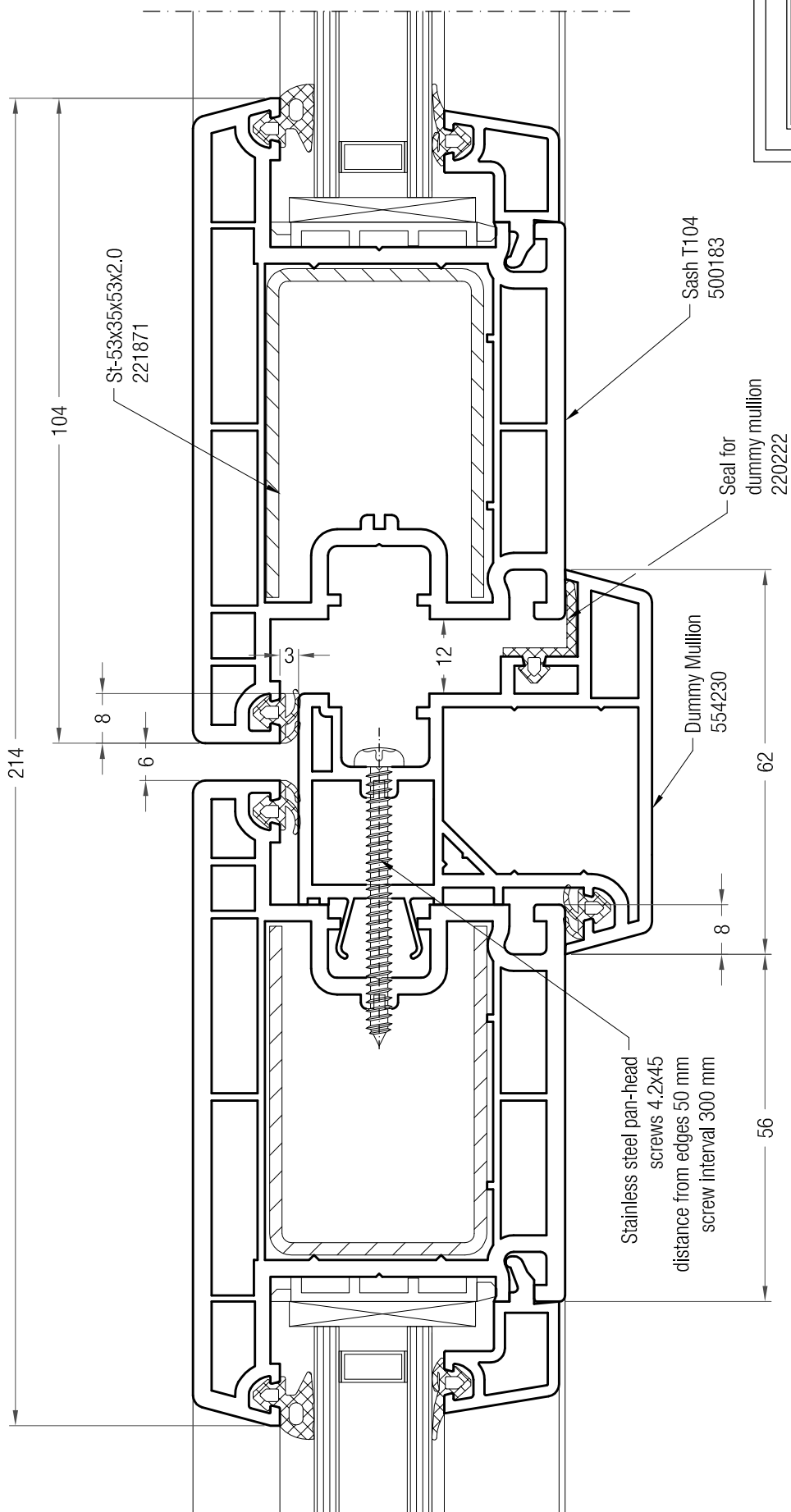
Detail Drawing - Outward Open Door with Fixed Side-Window

Sash T104 / Mullion Z82



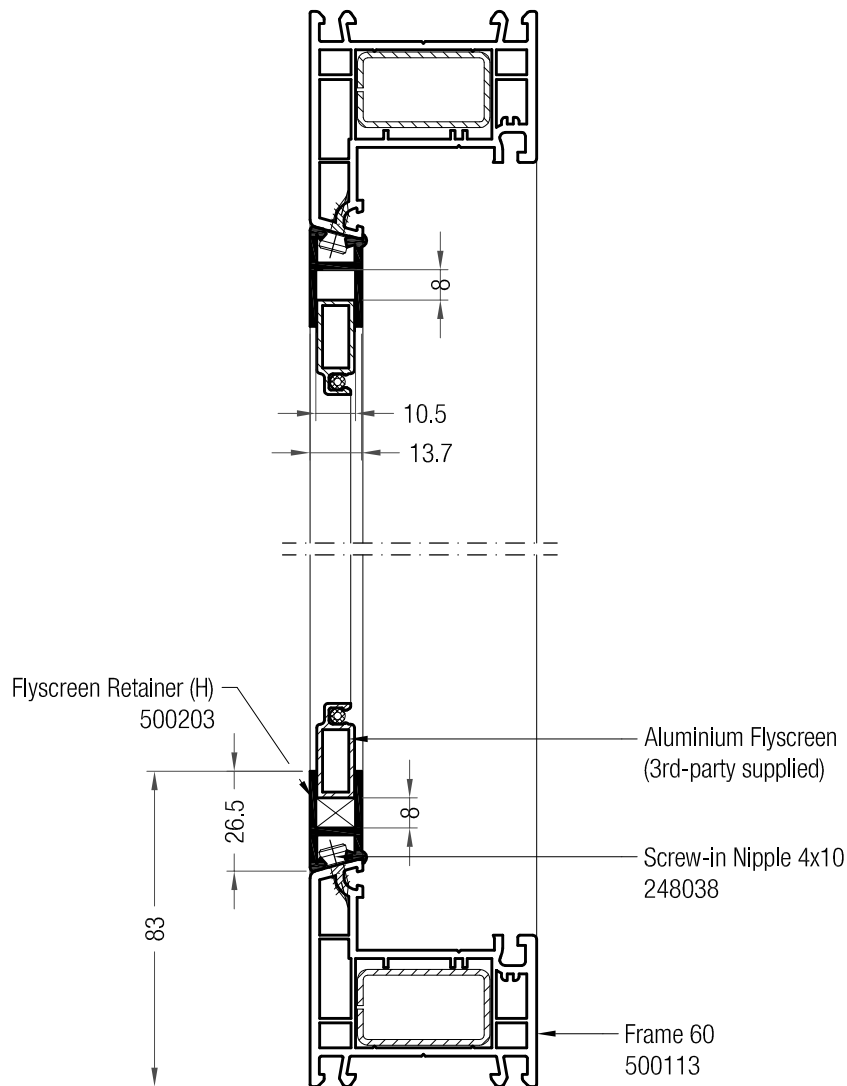
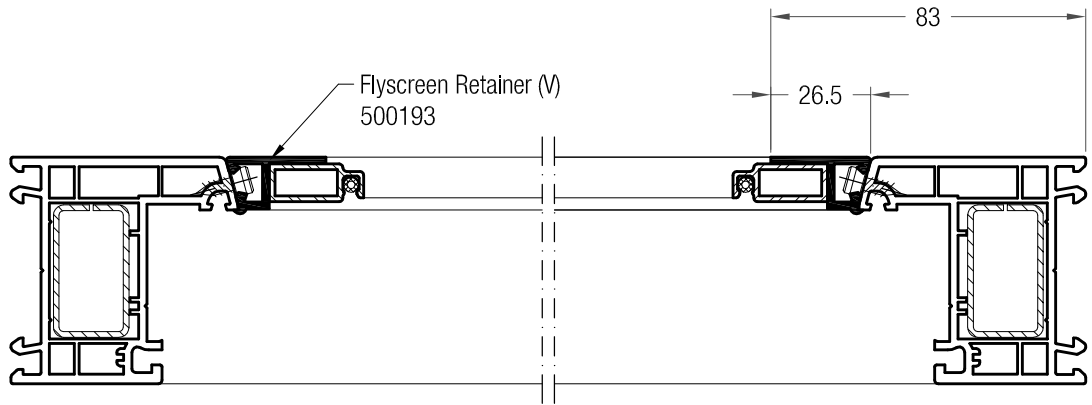
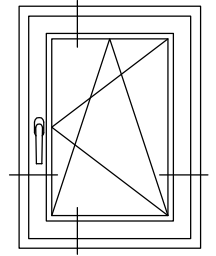
Detail Drawing - Outward Open French door

Sash T104 / Dummy Mullion

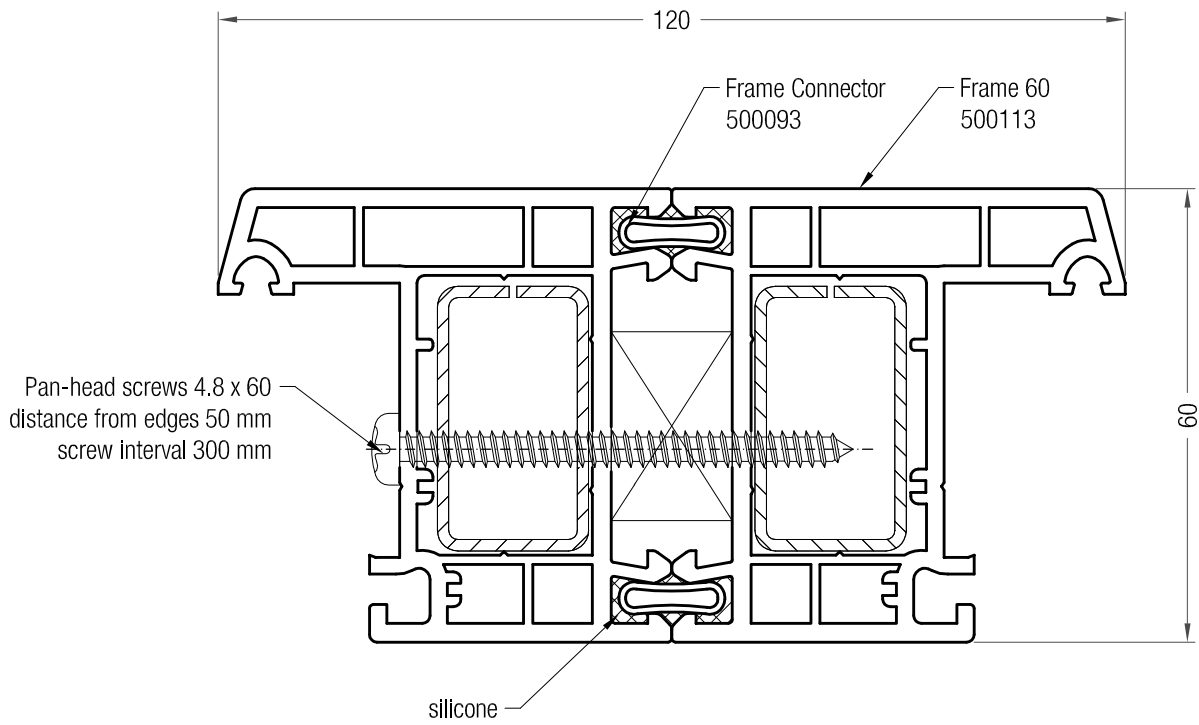
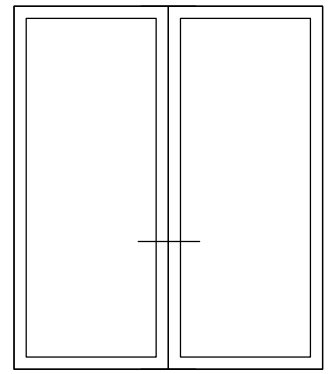


Detail Drawing - Fixed Flyscreen

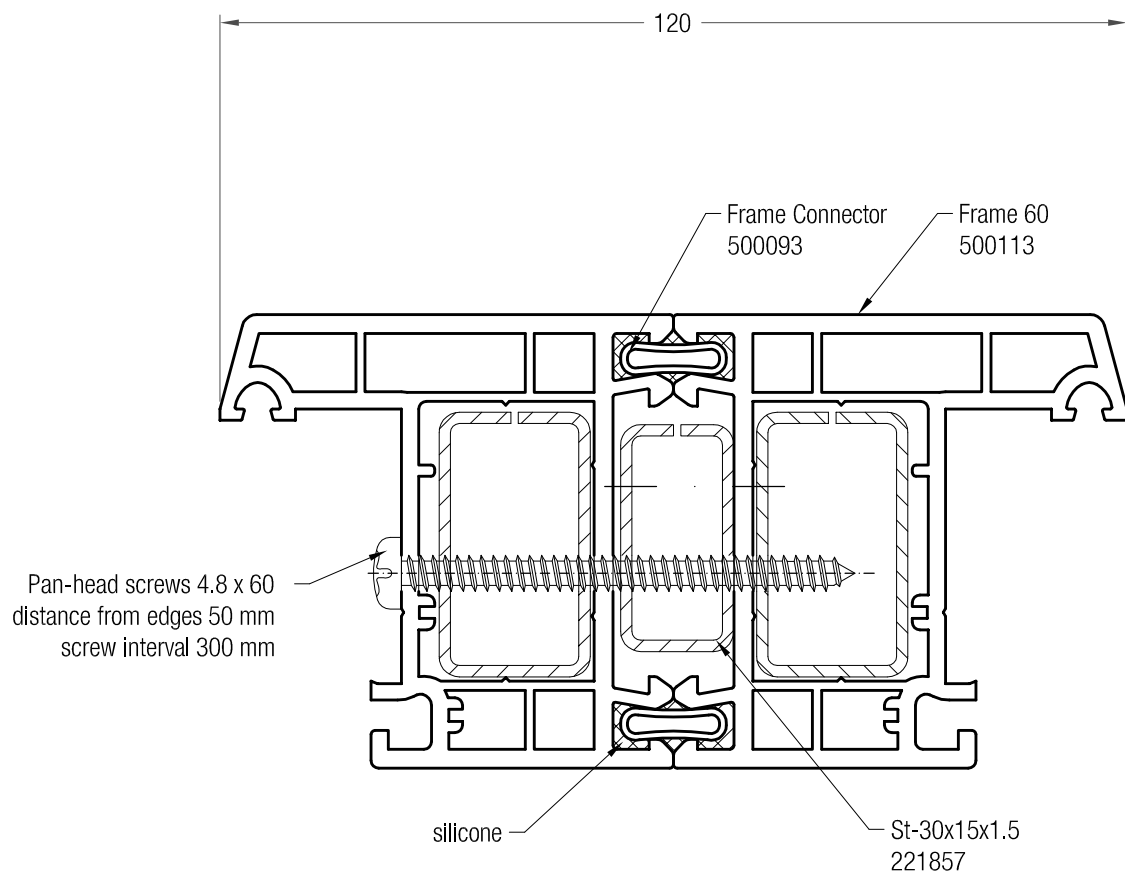
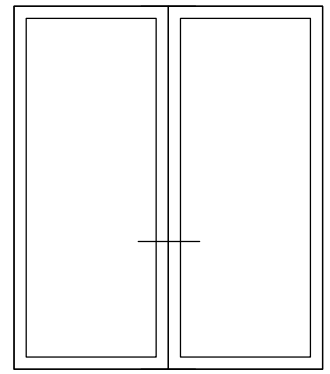
Frame 60 / Flyscreen Retainer (H) / Flyscreen Retainer (V)

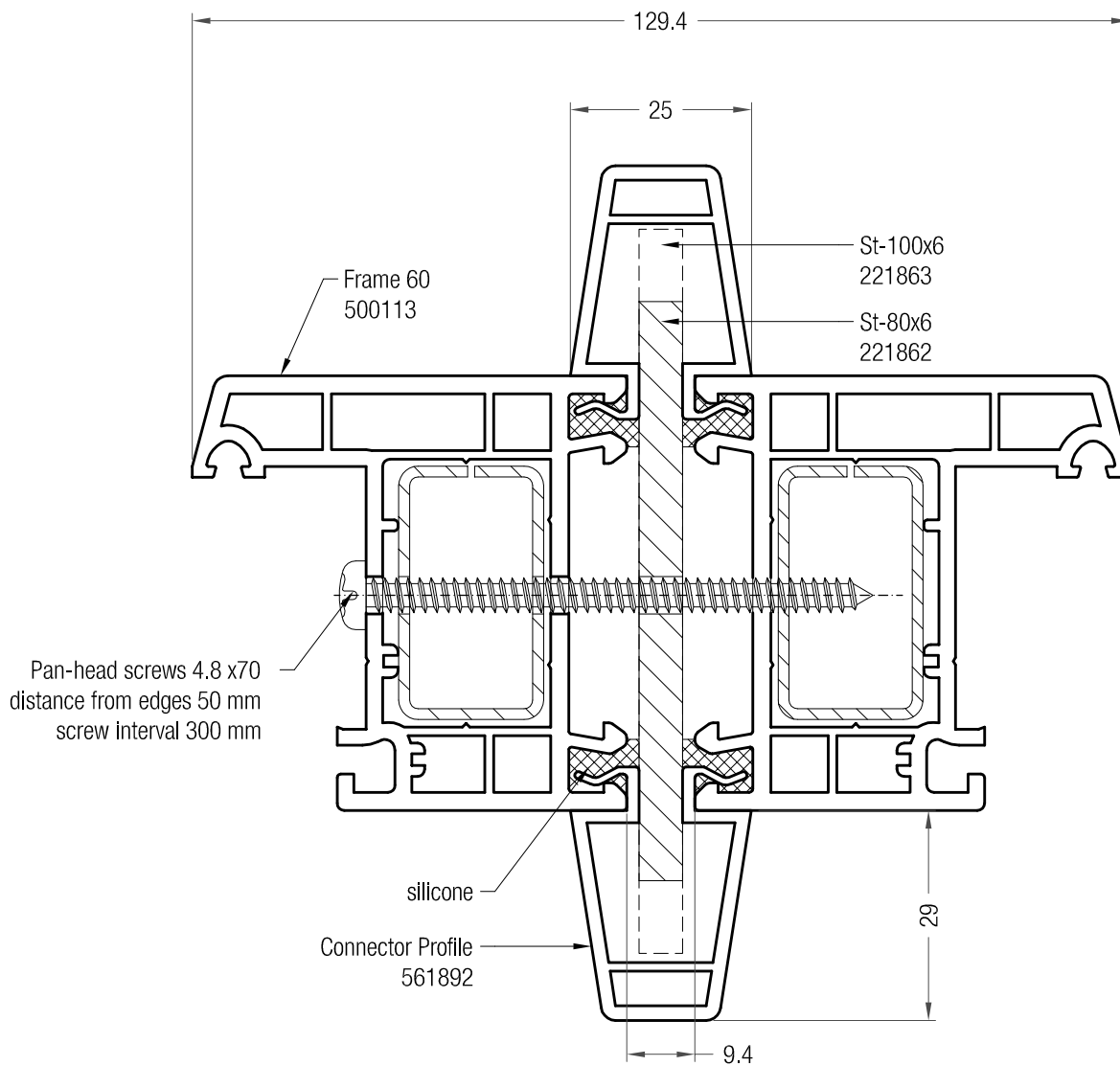
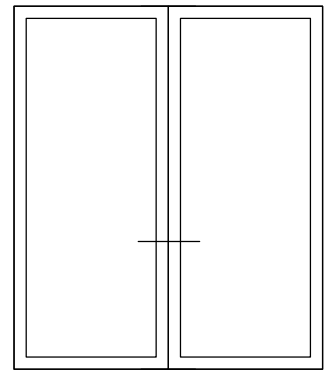


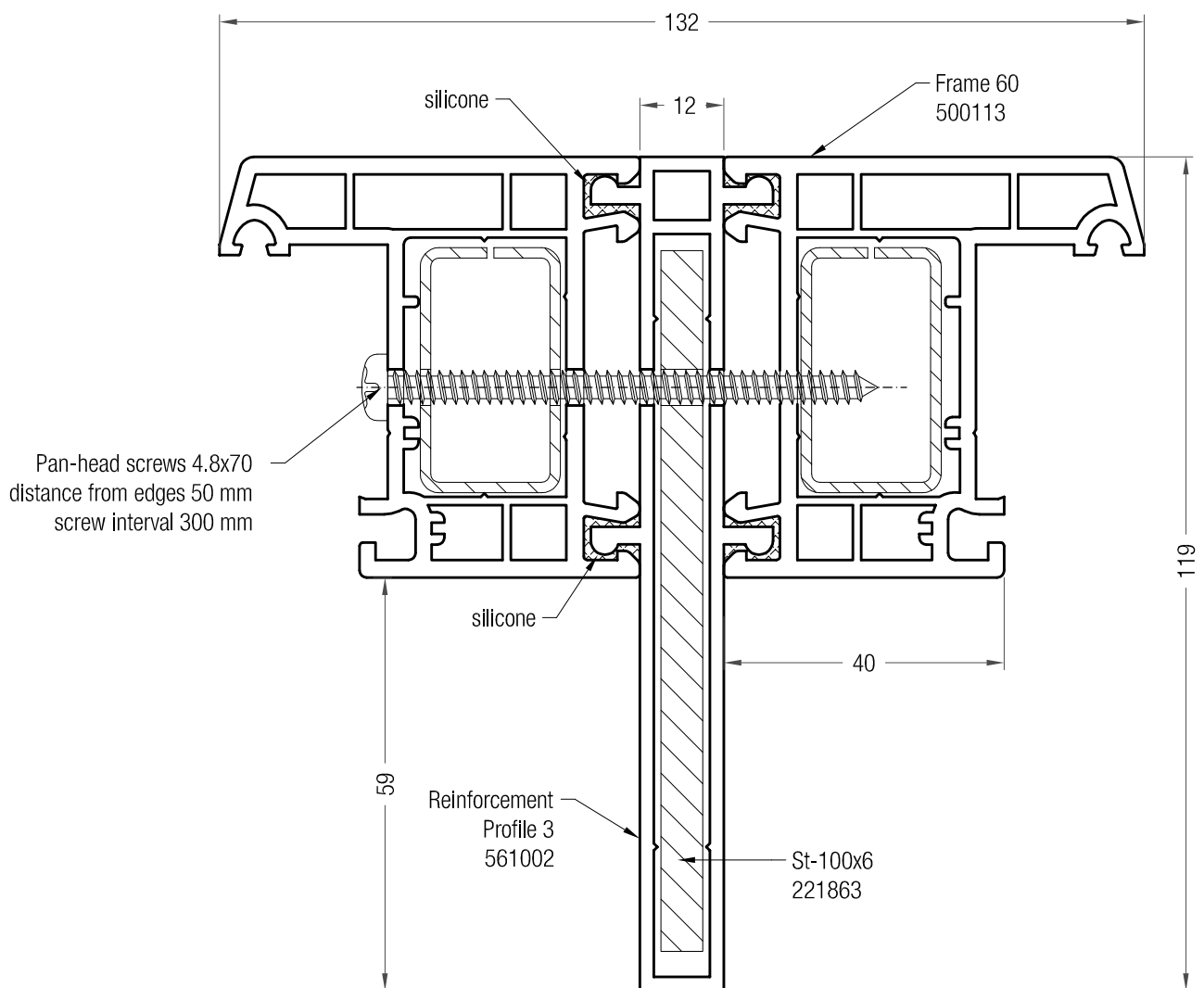
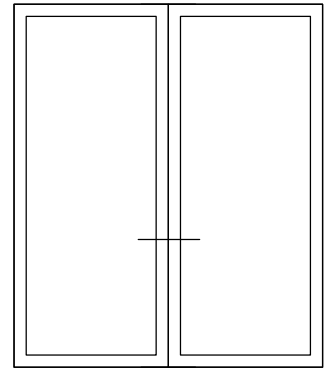
Note: Aluminium Flyscreen, Flyscreen Cord, spacer and flyscreen net are external supplied items





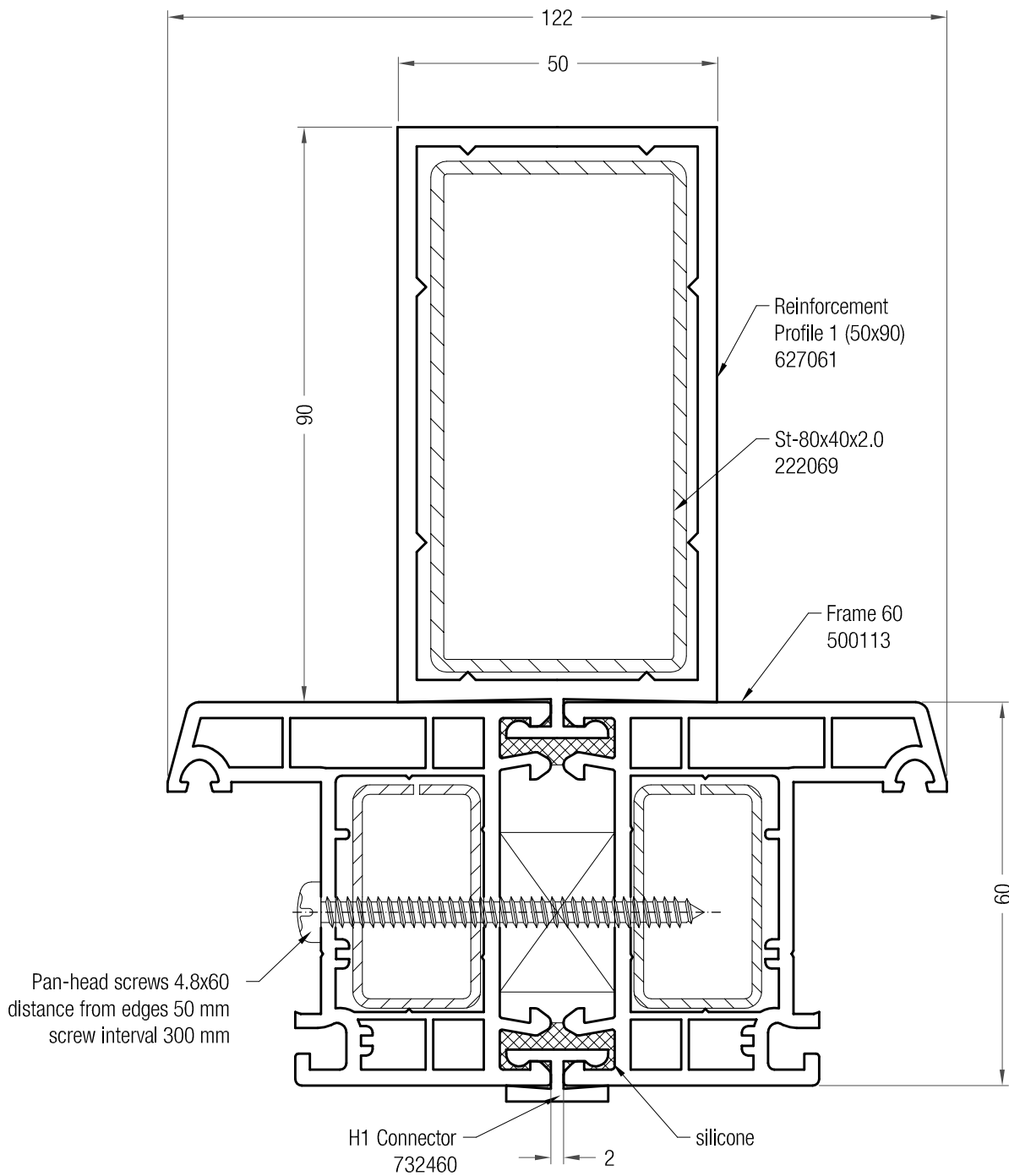
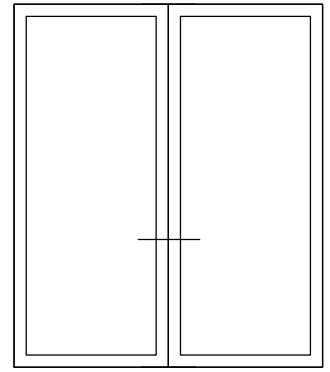


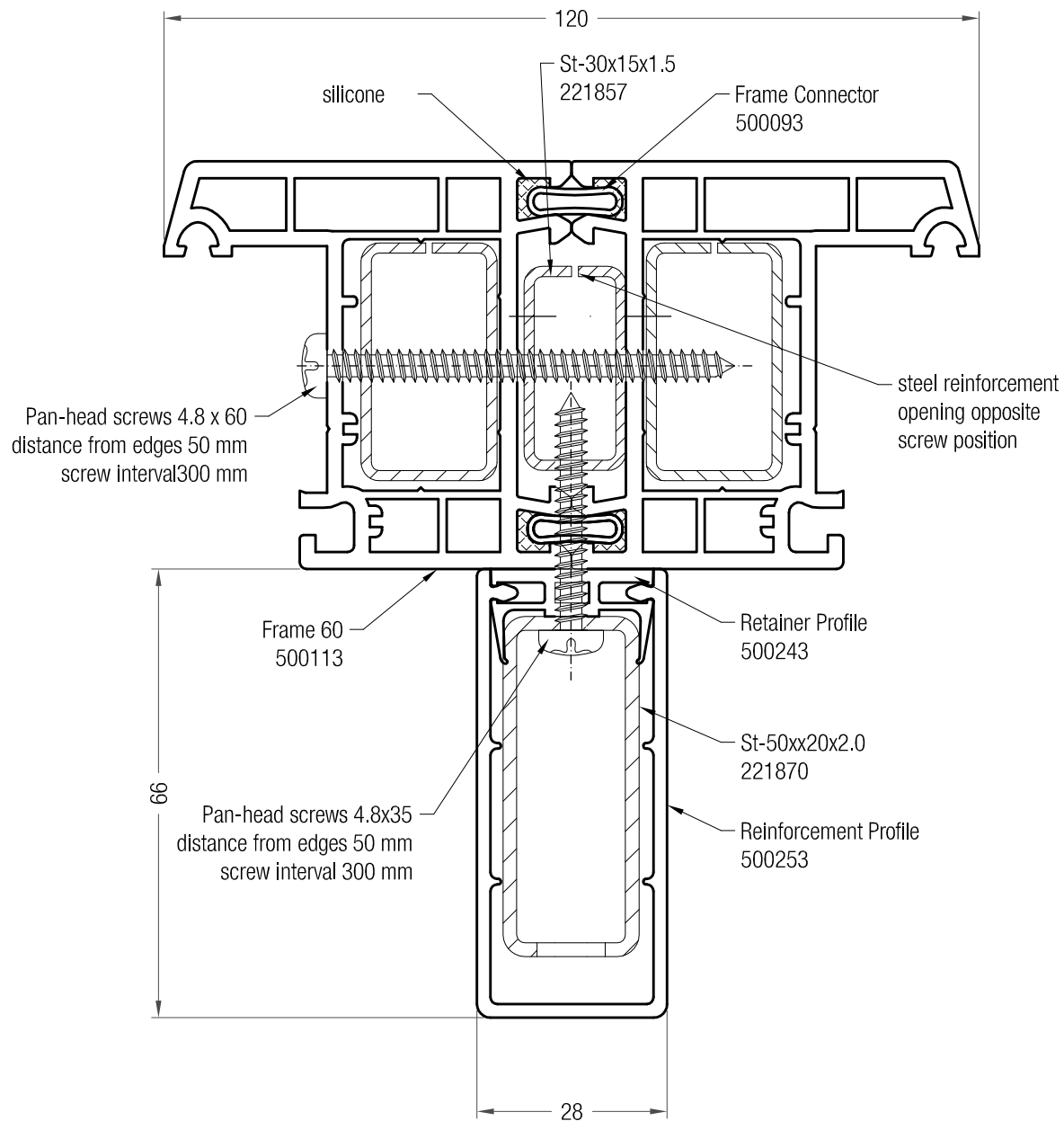
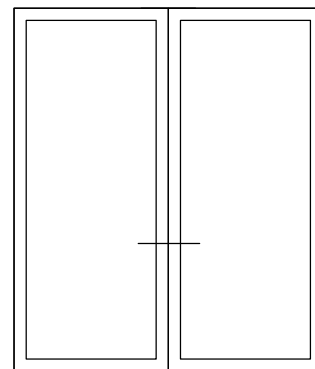




Detail Drawing - Connections

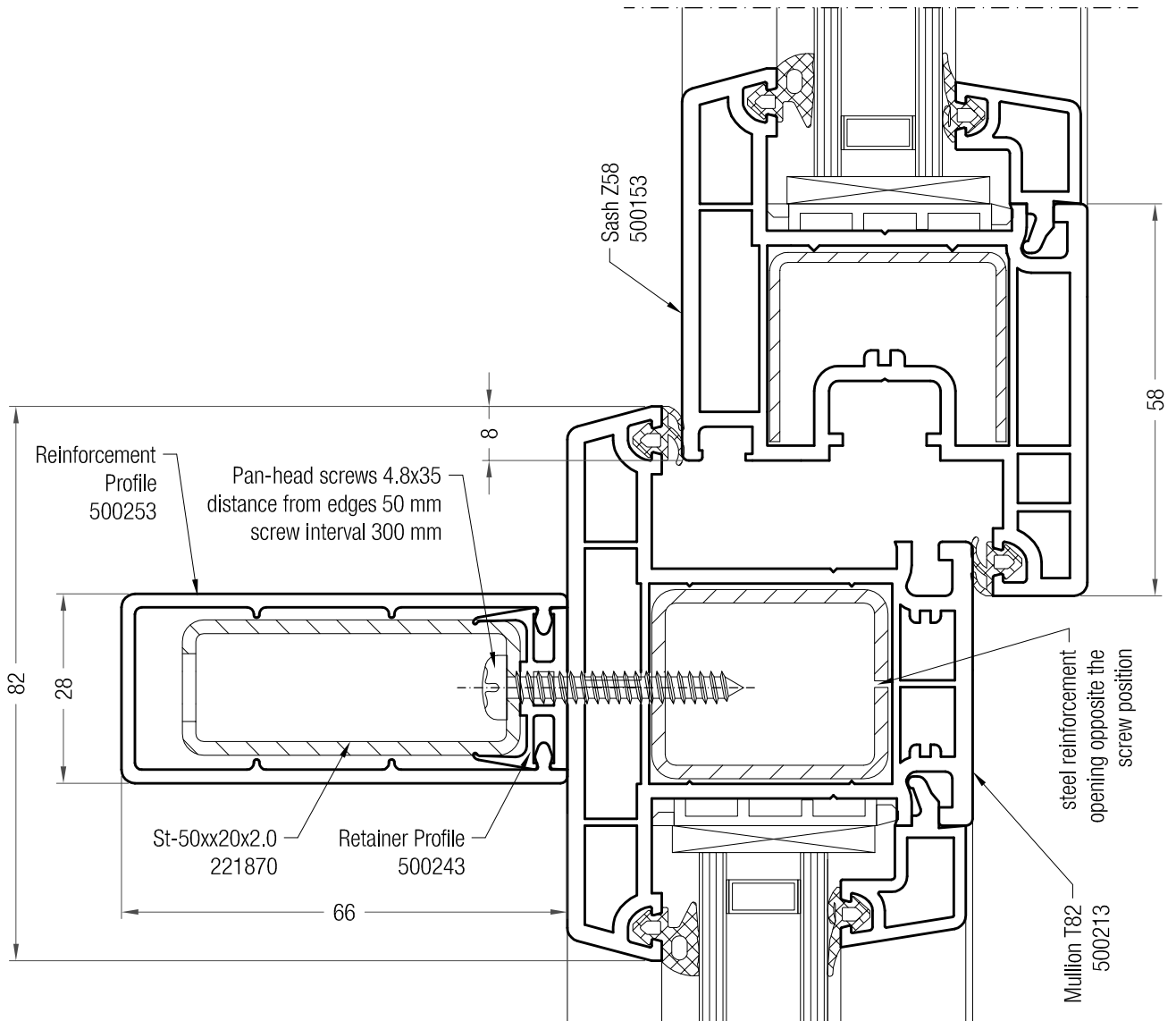
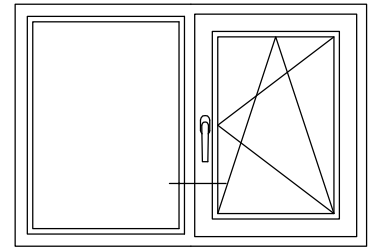
Frame 60 / Reinforcement Profile 1 (50x90) / H1 Connector Profile





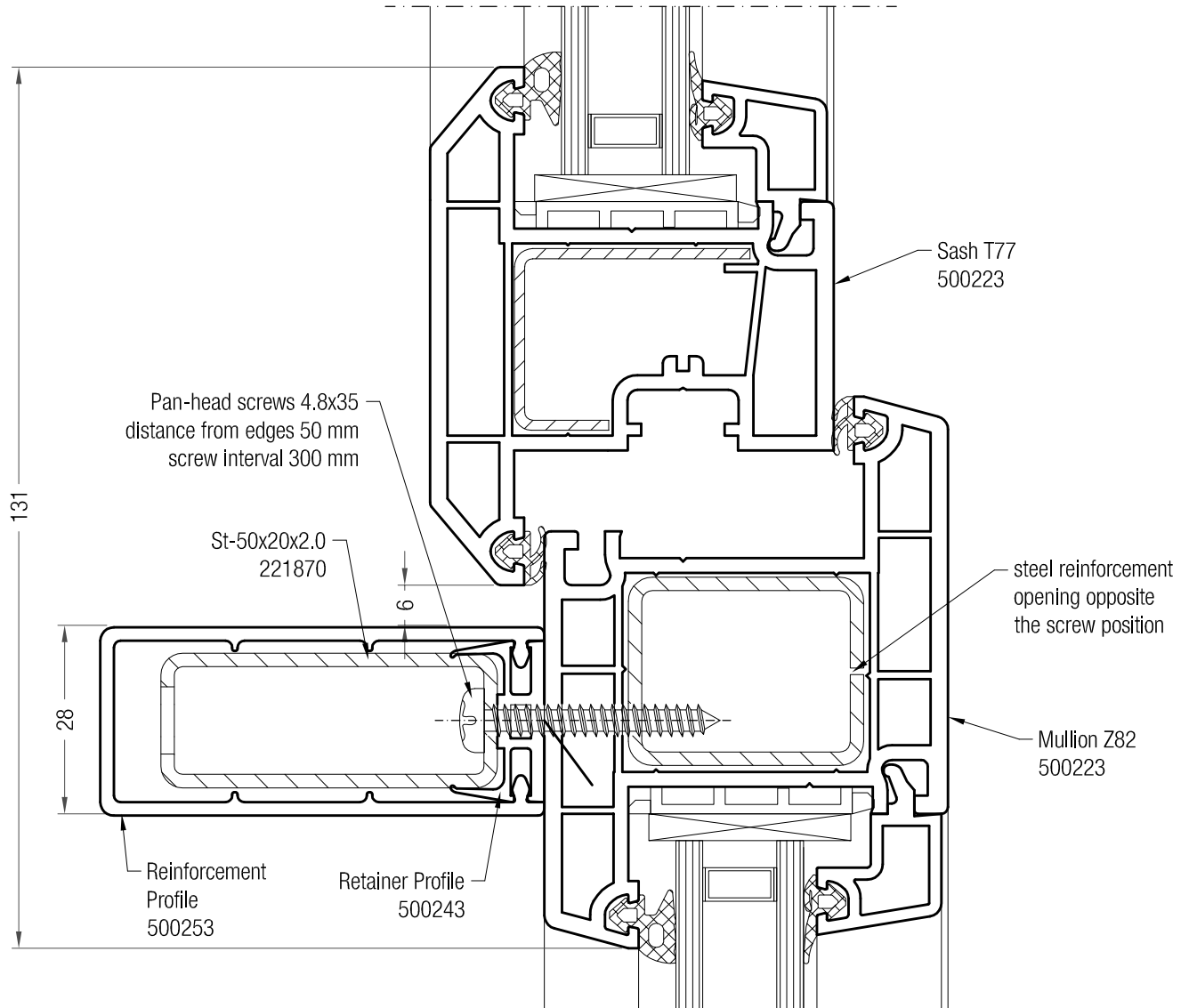
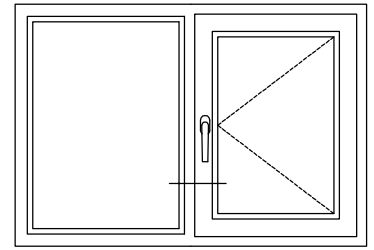
Detail Drawing - Mullion Reinforcement

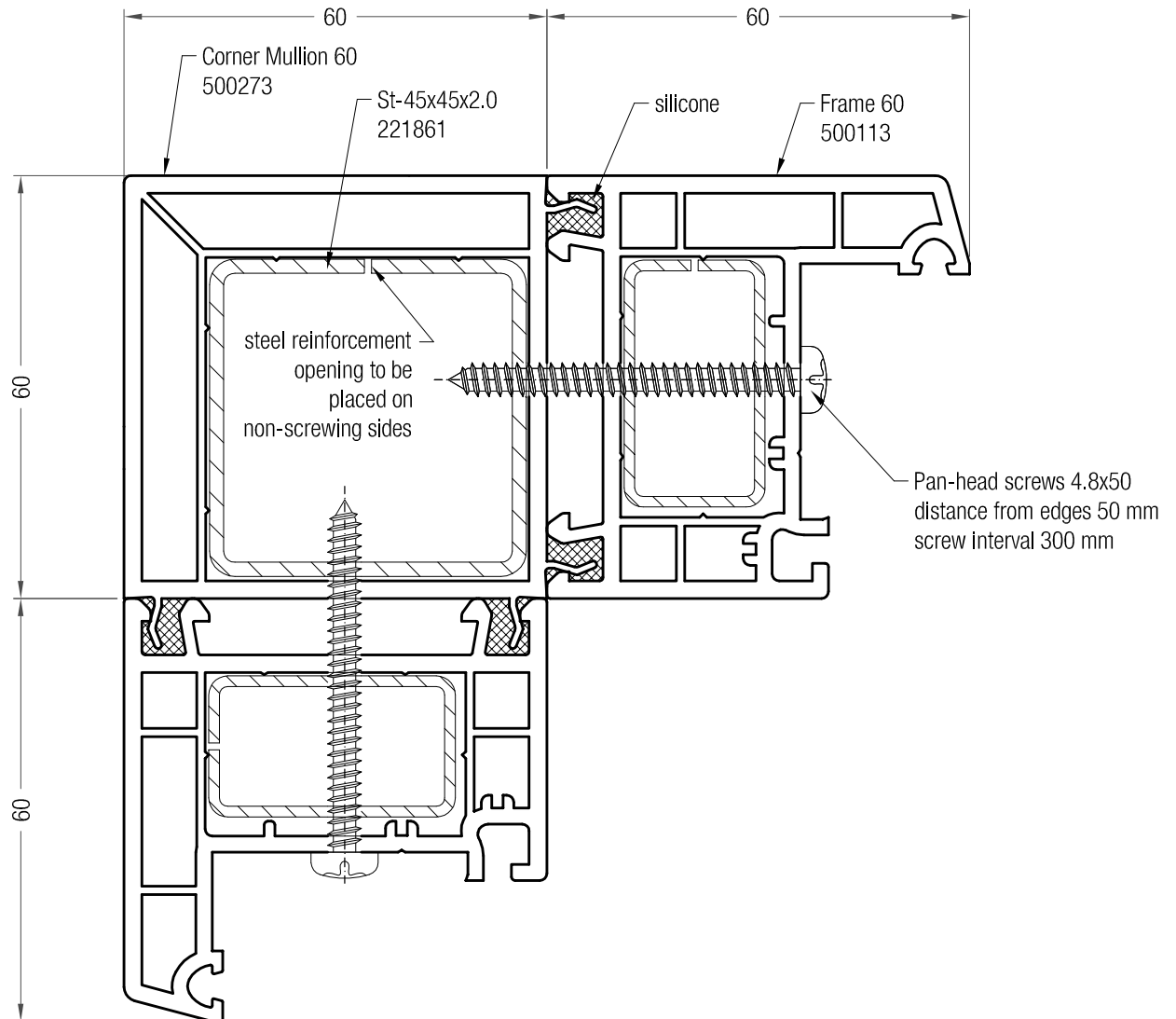
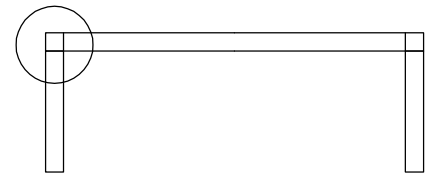
Mullion T82 / Reinforcement Profile / Retainer Profile



Detail Drawing - Mullion Reinforcement

Mullion Z82 / Reinforcement Profile / Retainer Profile







Detail Drawing - Variable Angle Connections  
Frame 60 / Bay Connecting Profile / Bay Pole

